

ELECTRICAL DATA

Case Length	Fans Per Case	High Efficiency Fans	
		120 Volts	
		Amps	Watts
2-door	1	0.22	26.0
3-door	2	0.43	52.0
4-door	2	0.43	52.0
5-door	3	0.65	78.0
4'	1	0.22	26.0
8'	2	0.43	52.0
12'	3	0.65	78.0

LIGHTING DATA

Case Length	Door Size	LED Lighting					
		Pro24 35K Hi Output		GE Gen6		LEDStixx	
		120 Volts		120 Volts		120 Volts	
		Amps	Watts	Amps	Watts	Amps	Watts
2-door	30"	0.40	48.0	0.30	33.0	0.40	52.0
3-door	30"	0.60	72.0	0.40	48.0	0.60	74.0
4-door	30"	0.80	96.0	0.50	64.0	0.80	96.0
5-door	30"	1.00	120.0	0.70	79.0	1.00	118.0
4'	24"	0.30	31.0	0.20	25.0	0.30	37.0
8'	24"	0.50	62.0	0.40	47.0	0.60	66.0
8'	32"	0.60	72.0	0.40	48.0	0.60	74.0
12'	24"	0.80	93.0	0.60	69.0	0.80	95.0
12'	36"	0.80	96.0	0.50	64.0	0.80	96.0

ANTI-CONDENSATE DATA

Case Length	Door Size	Infinity 90		Vista-C		Vista C 060	
		120 Volts		120 Volts		120 Volts	
		Amps	Watts	Amps	Watts	Amps	Watts
2-door	30"	0.80	98.0	1.20	144.0	1.20	144.0
3-door	30"	1.20	144.0	1.70	199.0	1.70	199.0
4-door	30"	1.60	191.0	2.00	245.0	2.00	245.0
5-door	30"	2.00	236.0	2.40	293.0	2.40	293.0
4'	24"	0.50	60.0	0.90	109.0	0.90	109.0
8'	24"	1.00	120.0	1.50	175.0	1.50	175.0
8'	32"	1.30	150.0	1.50	174.0	1.50	174.0
12'	24"	1.50	180.0	2.00	239.0	2.00	239.0
12'	36"	1.70	204.0	1.80	218.0	1.80	218.0



COMPONENT

VRB

ALL MEASUREMENTS ARE TAKEN PER ASHRAE-72-2005 SPECIFICATIONS. HILLPHOENIX REFRIGERATED DISPLAY CASES FOR SALE IN THE UNITED STATES MEET OR EXCEED DEPARTMENT OF ENERGY EFFICIENCY REQUIREMENTS.

Rev Date:	Rev #	Revision Description:
06/16/16	0	



GUIDELINES & CONTROL DATA

Application	Doors	Door Size	BTUH/door		Superheat Set Point @ Bulb (°F)	Evaporator (°F)	Discharge Air (°F)	Discharge Air Velocity (FPM)
			Conventional	Parallel				
Beverage / Produce	2 - 5 Doors	30"	670	666	6 - 8	34	38	360
Beverage / Produce	4'	24"	536	533	6 - 8	34	38	360
Beverage / Produce	8'	24"	536	533	6 - 8	34	38	360
Beverage / Produce	8'	32"	715	710	6 - 8	34	38	360
Beverage / Produce	12'	24"	536	533	6 - 8	34	38	360
Beverage / Produce	12'	36"	804	799	6 - 8	34	38	360
Deli / Dairy / Cut Produce	2 - 5 Doors	30"	710	697	6 - 8	31	34	360
Deli / Dairy / Cut Produce	4'	24"	568	557	6 - 8	31	34	360
Deli / Dairy / Cut Produce	8'	24"	568	557	6 - 8	31	34	360
Deli / Dairy / Cut Produce	8'	32"	757	743	6 - 8	31	34	360
Deli / Dairy / Cut Produce	12'	24"	568	557	6 - 8	31	34	360
Deli / Dairy / Cut Produce	12'	36"	852	836	6 - 8	31	34	360
Meat	2 - 5 Doors	30"	810	777	6 - 8	28	33	360
Meat	4'	24"	648	621	6 - 8	28	33	360
Meat	8'	24"	648	621	6 - 8	28	33	360
Meat	8'	32"	864	828	6 - 8	28	33	360
Meat	12'	24"	648	621	6 - 8	28	33	360
Meat	12'	36"	972	932	6 - 8	28	33	360

DEFROST DATA

Defrosts Per Day	Timed-Off Defrost	
	Fail-Safe (Min)	Termination Temp (°F)
2	30	42

NOTES:

- High power lights. Low power option available.
- 4-foot cases consist of 2 (24") doors; 8-foot cases can consist of 3 (32") doors or 4 (24") doors; 12-foot cases can consist of 4 (36") doors or 6 (24") doors.
- Door frames are heated. Doors are not heated.
- Case wiring to the top only.
- Listed discharge air velocity represents the average velocity at the peak of defrost.
- Temperature and defrost settings listed above are recommended start-up settings. Final operational settings may need to be adjusted for the store conditions in which the case operates.
- The recommended evaporator temperatures may need to be adjusted based on system setup, store conditions, etc. The minimum recommended evaporator temperature is 4°F below the listed evaporator temperature.
-



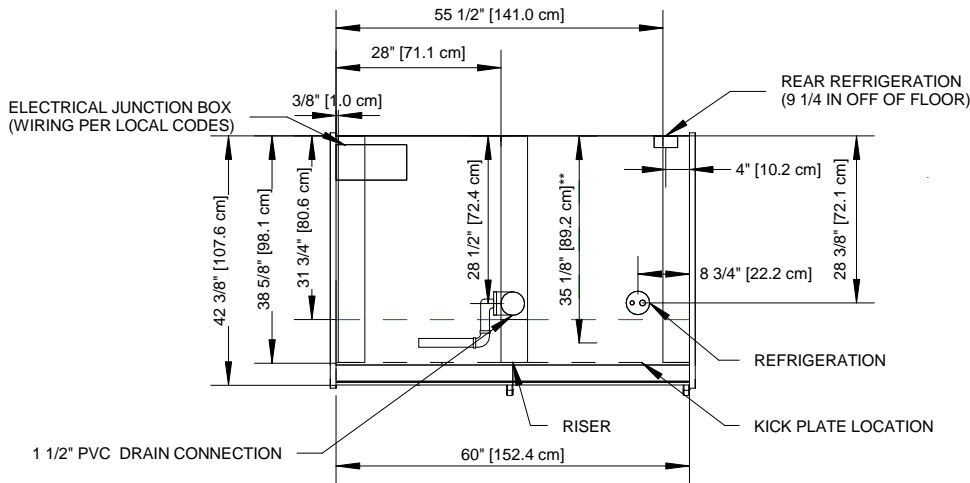
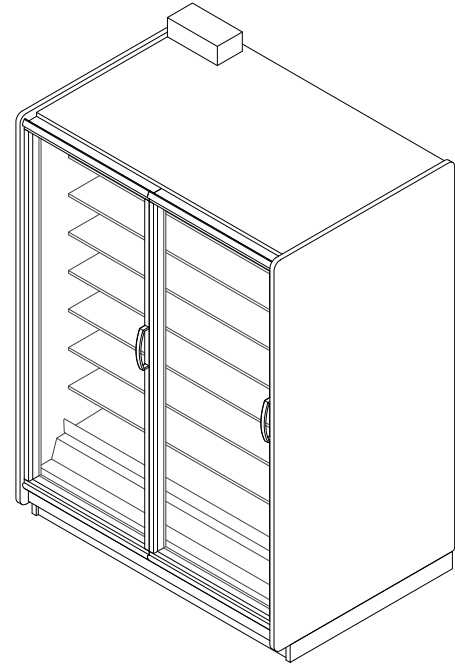
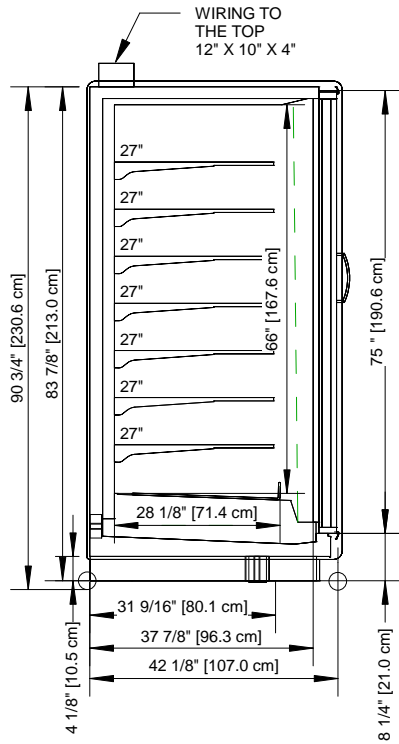
COMPONENT

VRB

ALL MEASUREMENTS ARE TAKEN PER ASHRAE-72-2005 SPECIFICATIONS. HILLPHOENIX REFRIGERATED DISPLAY CASES FOR SALE IN THE UNITED STATES MEET OR EXCEED DEPARTMENT OF ENERGY EFFICIENCY REQUIREMENTS.

Rev Date:	Rev #	Revision Description:
06/16/16	0	





NOTES:

*: STUB-UP AREA

** : RECOMMENDED STUB-UP CENTERLINE FOR ELECTRICAL AND HUB DRAINS

- ENDS ADD APPROXIMATELY 1" TO CASE HEIGHT, 1/2" TO THE BACK & 1" TO THE FRONT
- A 2" MINIMUM AIR GAP IS REQUIRED BETWEEN THE REAR OF THE CASE AND THE WALL
- SUCTION LINE (ALL LENGTHS) - 5/8"
- LIQUID LINE (ALL LENGTHS) - 3/8"
- AVAILABLE SHELF SIZES: 24" & 27"



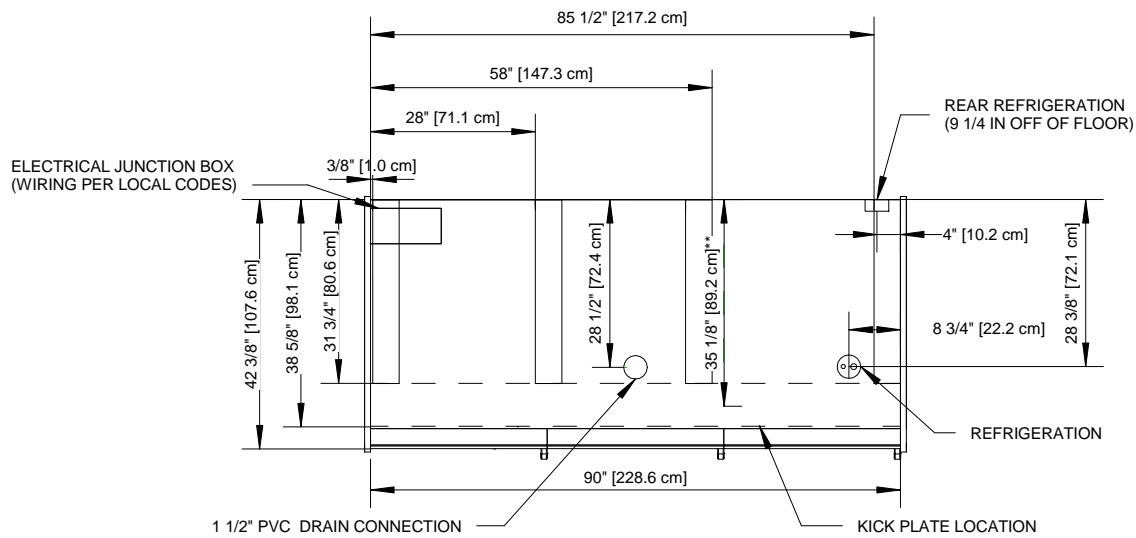
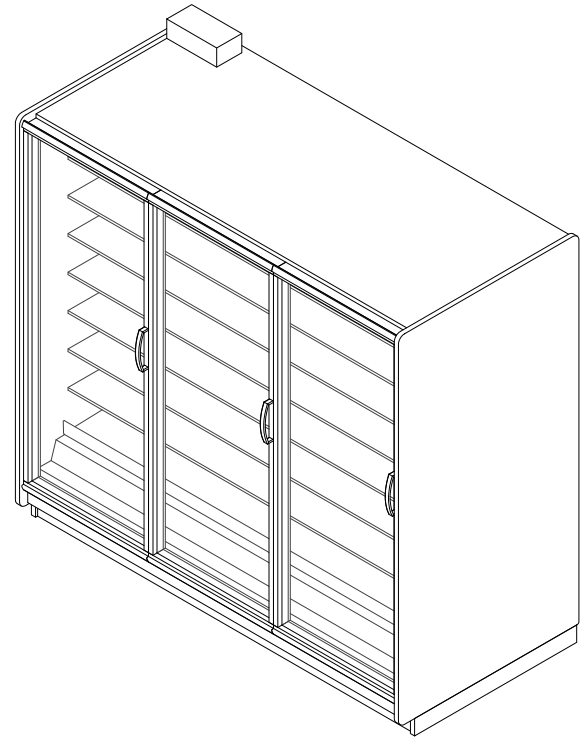
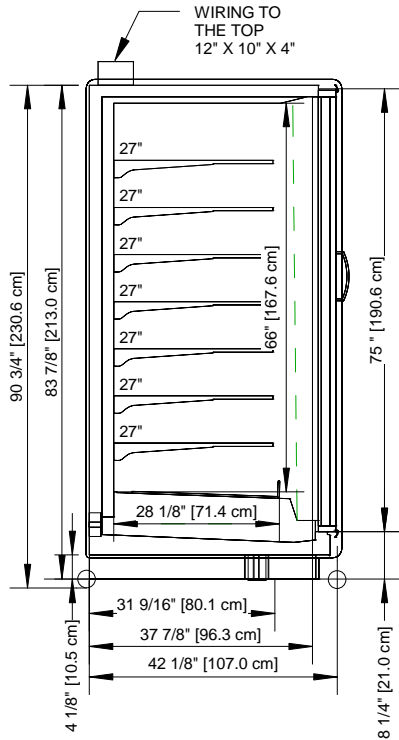
COMPONENT

ALL MEASUREMENTS ARE TAKEN PER ASHRAE-72-2005 SPECIFICATIONS. HILLPHOENIX REFRIGERATED DISPLAY CASES FOR SALE IN THE UNITED STATES MEET OR EXCEED DEPARTMENT OF ENERGY EFFICIENCY REQUIREMENTS.

VRB 2 Door

Rev Date:	Rev #	Revision Description:
06/16/16	0	





NOTES:

* : STUB-UP AREA

** : RECOMMENDED STUB-UP CENTERLINE FOR ELECTRICAL AND HUB DRAINS

- ENDS ADD APPROXIMATELY 1" TO CASE HEIGHT, 1/2" TO THE BACK & 1" TO THE FRONT
- A 2" MINIMUM AIR GAP IS REQUIRED BETWEEN THE REAR OF THE CASE AND THE WALL
- SUCTION LINE (ALL LENGTHS) - 5/8"
- LIQUID LINE (ALL LENGTHS) - 3/8"
- AVAILABLE SHELF SIZES: 24" & 27"



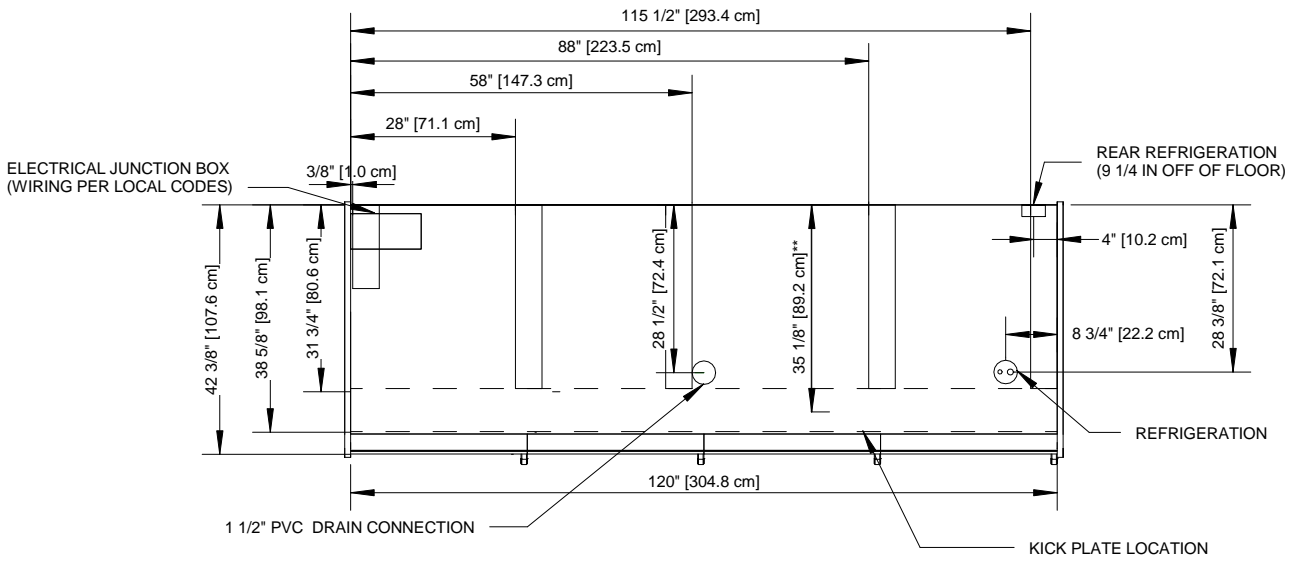
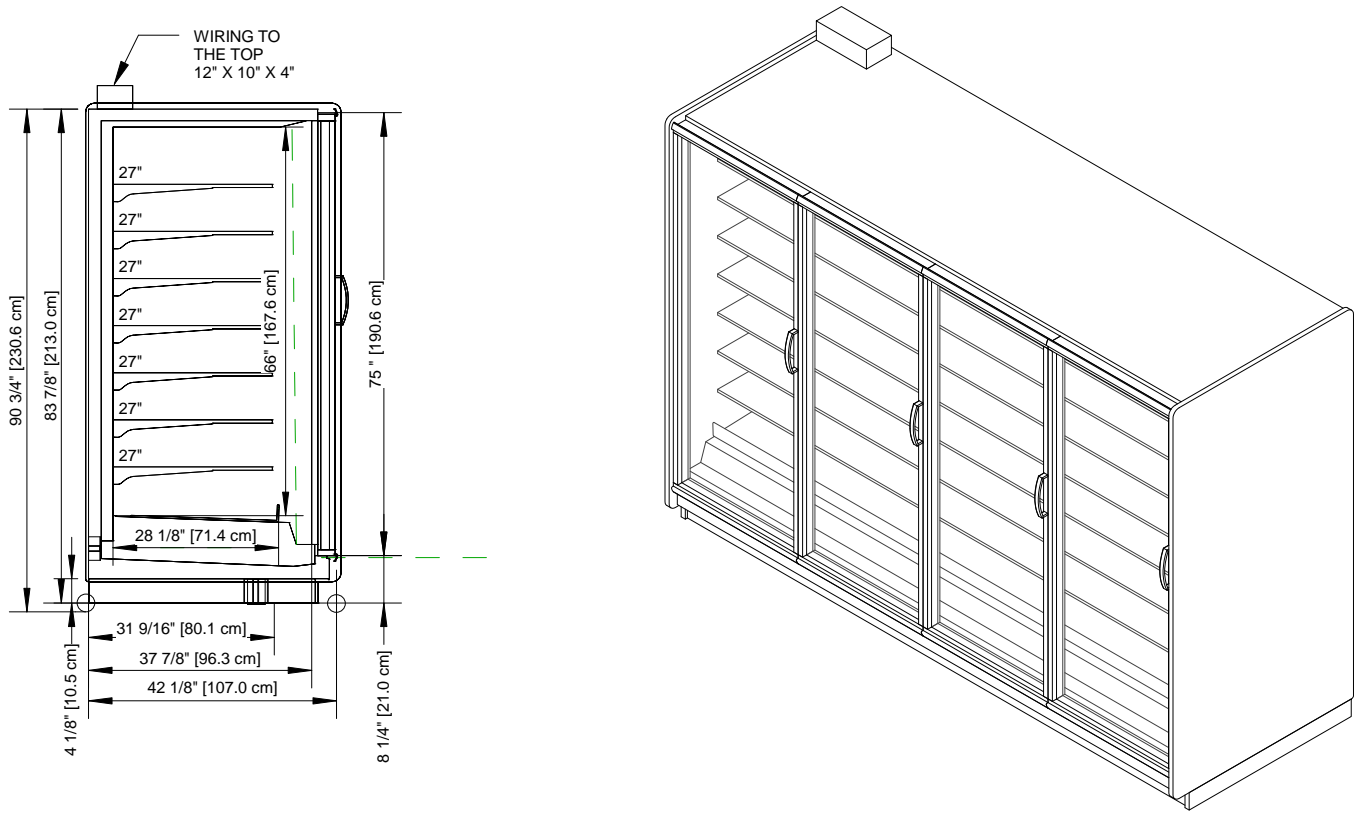
COMPONENT

ALL MEASUREMENTS ARE TAKEN PER ASHRAE-72-2005 SPECIFICATIONS. HILLPHOENIX REFRIGERATED DISPLAY CASES FOR SALE IN THE UNITED STATES MEET OR EXCEED DEPARTMENT OF ENERGY EFFICIENCY REQUIREMENTS.

VRB 3 DOOR

Rev Date:	Rev #	Revision Description:
06/16/16	0	
06/16/16		
06/16/16		





- NOTES:
 * : STUB-UP AREA
 ** : RECOMMENDED STUB-UP CENTERLINE FOR ELECTRICAL AND HUB DRAINS
- ENDS ADD APPROXIMATELY 1" TO CASE HEIGHT, 1/2" TO THE BACK & 1" TO THE FRONT
 - A 2" MINIMUM AIR GAP IS REQUIRED BETWEEN THE REAR OF THE CASE AND THE WALL
 - SUCTION LINE (ALL LENGTHS) - 5/8"
 - LIQUID LINE (ALL LENGTHS) - 3/8"
 - AVAILABLE SHELF SIZES: 24" & 27"



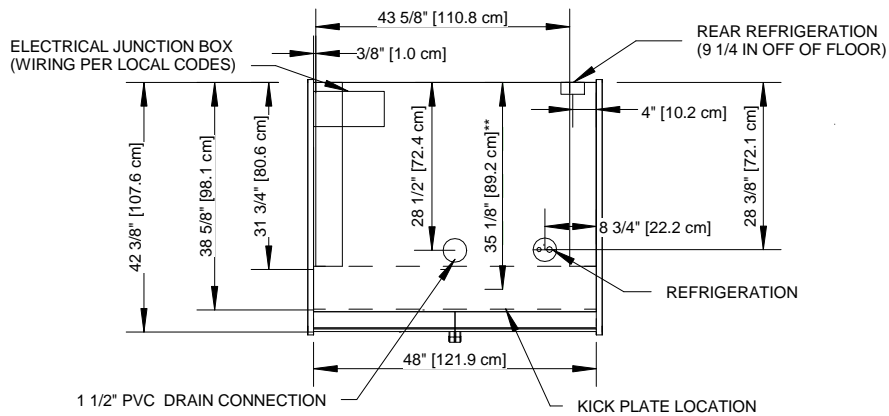
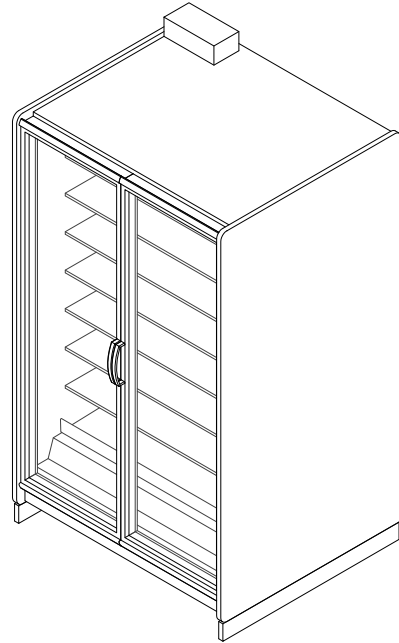
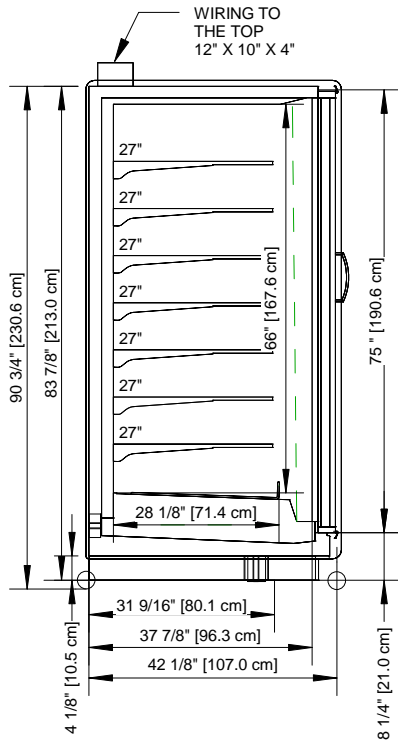
COMPONENT

VRB 4 DOOR

ALL MEASUREMENTS ARE TAKEN PER ASHRAE-72-2005 SPECIFICATIONS. HILLPHOENIX REFRIGERATED DISPLAY CASES FOR SALE IN THE UNITED STATES MEET OR EXCEED DEPARTMENT OF ENERGY EFFICIENCY REQUIREMENTS.

Rev Date:	Rev #	Revision Description:
06/16/16	0	
06/16/16		
06/16/16		





NOTES:

*: STUB-UP AREA

** : RECOMMENDED STUB-UP CENTERLINE FOR ELECTRICAL AND HUB DRAINS

- ENDS ADD APPROXIMATELY 1" TO CASE HEIGHT, 1/2" TO THE BACK & 1" TO THE FRONT
- A 2" MINIMUM AIR GAP IS REQUIRED BETWEEN THE REAR OF THE CASE AND THE WALL
- SUCTION LINE (ALL LENGTHS) - 5/8"
- LIQUID LINE (ALL LENGTHS) - 3/8"
- AVAILABLE SHELF SIZES: 24" & 27"



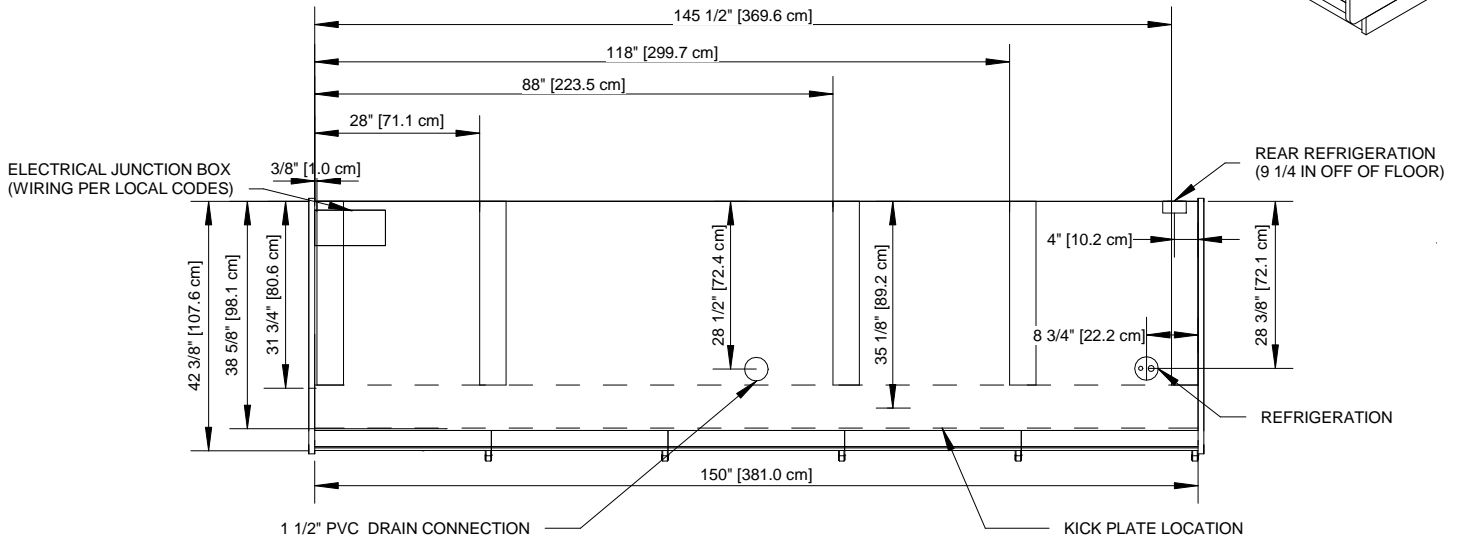
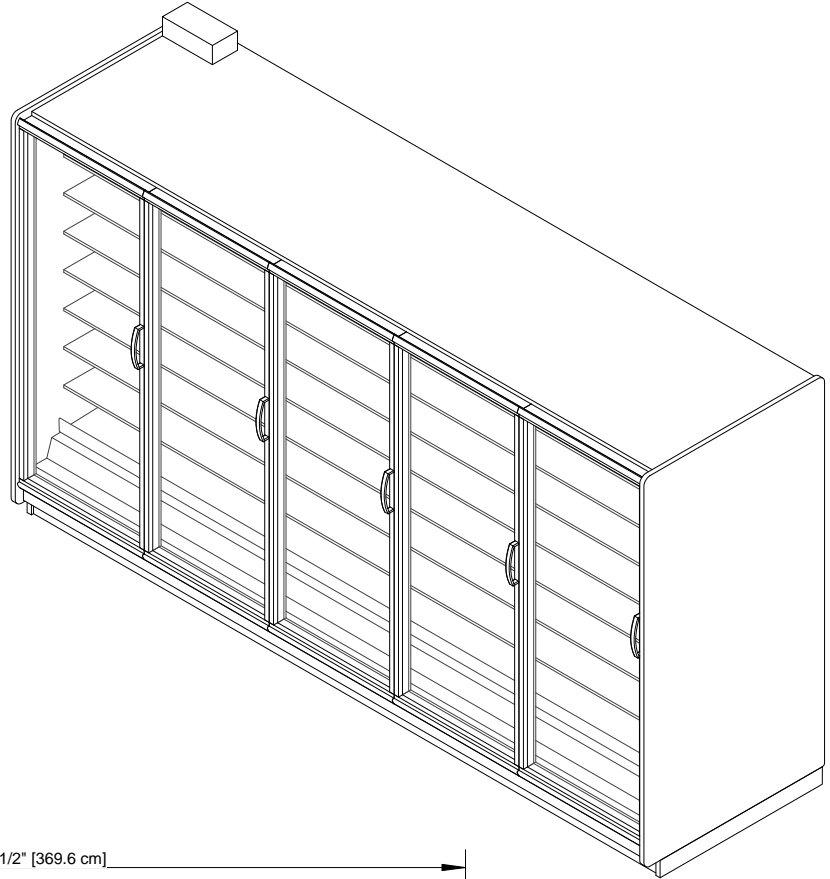
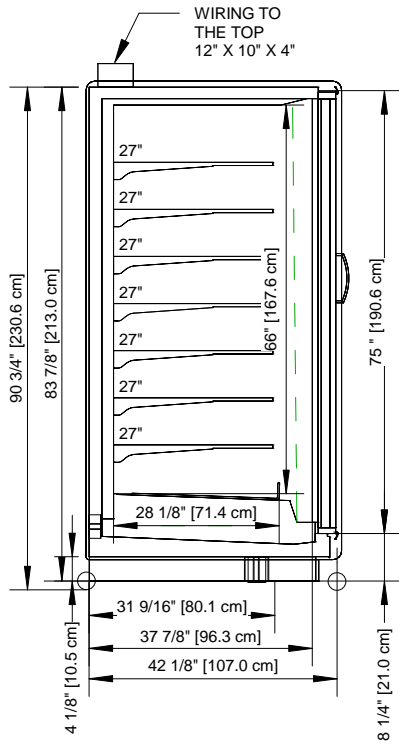
COMPONENT

ALL MEASUREMENTS ARE TAKEN PER ASHRAE-72-2005 SPECIFICATIONS. HILLPHOENIX REFRIGERATED DISPLAY CASES FOR SALE IN THE UNITED STATES MEET OR EXCEED DEPARTMENT OF ENERGY EFFICIENCY REQUIREMENTS.

VRB 4'

Rev Date:	Rev #	Revision Description:
06/16/16	0	
06/16/16		
06/16/16		





NOTES:

*: STUB-UP AREA

** : RECOMMENDED STUB-UP CENTERLINE FOR ELECTRICAL AND HUB DRAINS

- ENDS ADD APPROXIMATELY 1" TO CASE HEIGHT, 1/2" TO THE BACK & 1" TO THE FRONT
- A 2" MINIMUM AIR GAP IS REQUIRED BETWEEN THE REAR OF THE CASE AND THE WALL
- SUCTION LINE (ALL LENGTHS) - 5/8"
- LIQUID LINE (ALL LENGTHS) - 3/8"
- AVAILABLE SHELF SIZES: 24" & 27"



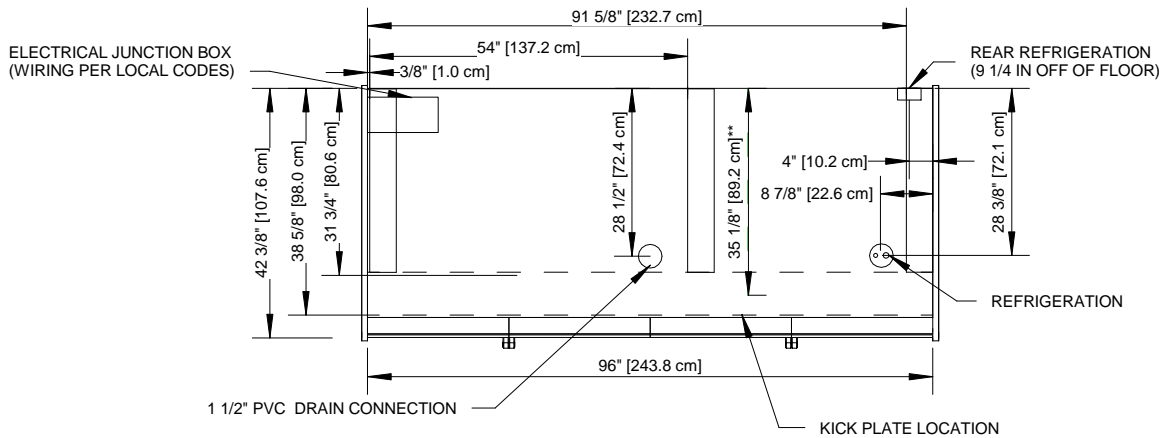
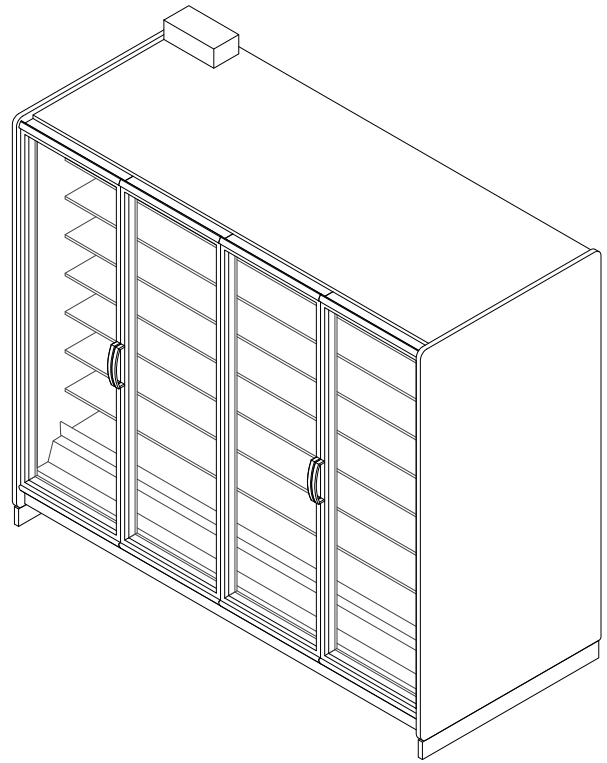
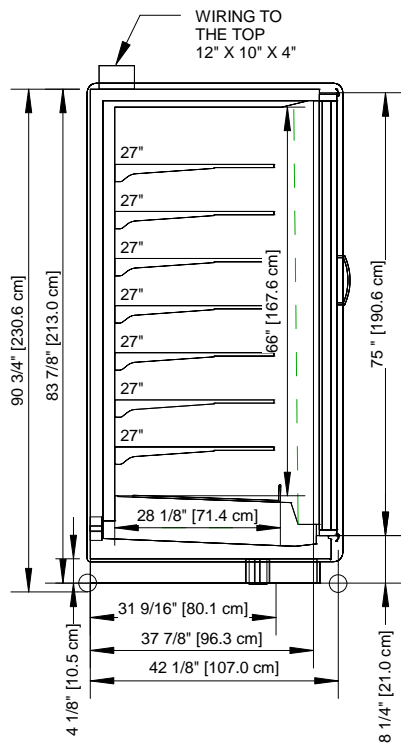
COMPONENT

ALL MEASUREMENTS ARE TAKEN PER ASHRAE-72-2005 SPECIFICATIONS. HILLPHOENIX REFRIGERATED DISPLAY CASES FOR SALE IN THE UNITED STATES MEET OR EXCEED DEPARTMENT OF ENERGY EFFICIENCY REQUIREMENTS.

VRB 5 DOOR

Rev Date:	Rev #	Revision Description:
06/16/16	0	
06/16/16		
06/16/16		





NOTES:

* : STUB-UP AREA

** : RECOMMENDED STUB-UP CENTERLINE FOR ELECTRICAL AND HUB DRAINS

- ENDS ADD APPROXIMATELY 1" TO CASE HEIGHT, 1/2" TO THE BACK & 1" TO THE FRONT
- A 2" MINIMUM AIR GAP IS REQUIRED BETWEEN THE REAR OF THE CASE AND THE WALL
- SUCTION LINE (ALL LENGTHS) - 5/8"
- LIQUID LINE (ALL LENGTHS) - 3/8"
- AVAILABLE SHELF SIZES: 24" & 27"



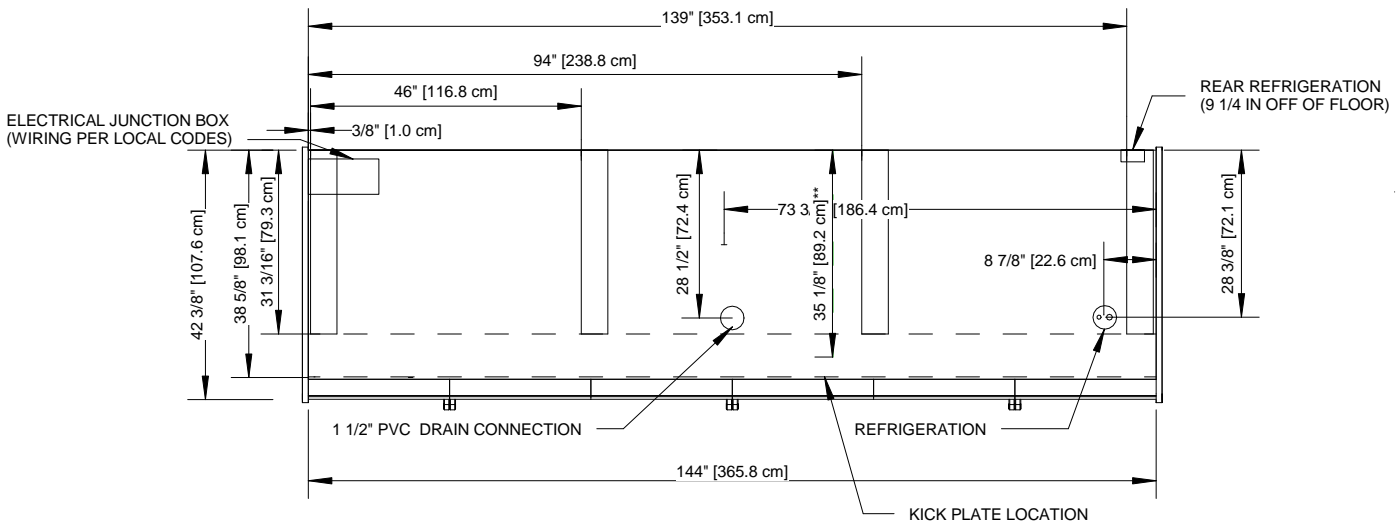
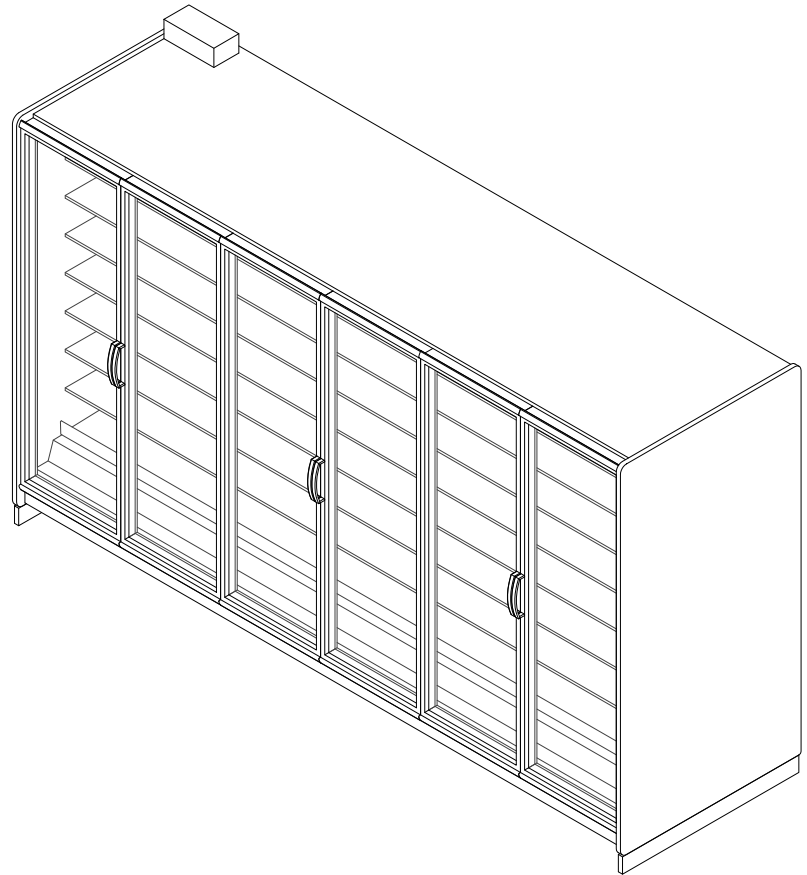
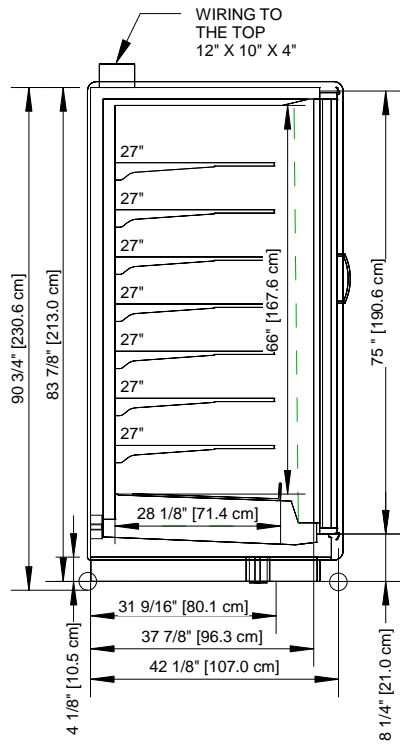
COMPONENT

VRB 8'

ALL MEASUREMENTS ARE TAKEN PER ASHRAE-72-2005 SPECIFICATIONS. HILLPHOENIX REFRIGERATED DISPLAY CASES FOR SALE IN THE UNITED STATES MEET OR EXCEED DEPARTMENT OF ENERGY EFFICIENCY REQUIREMENTS.

Rev Date:	Rev #	Revision Description:
06/16/16	0	
06/16/16		
06/16/16		





NOTES:

* : STUB-UP AREA

** : RECOMMENDED STUB-UP CENTERLINE FOR ELECTRICAL AND HUB DRAINS

- ENDS ADD APPROXIMATELY 1" TO CASE HEIGHT, 1/2" TO THE BACK & 1" TO THE FRONT
- A 2" MINIMUM AIR GAP IS REQUIRED BETWEEN THE REAR OF THE CASE AND THE WALL
- SUCTION LINE (ALL LENGTHS) - 5/8"
- LIQUID LINE (ALL LENGTHS) - 3/8"
- AVAILABLE SHELF SIZES: 24" & 27"



COMPONENT

ALL MEASUREMENTS ARE TAKEN PER ASHRAE-72-2005 SPECIFICATIONS. HILLPHOENIX REFRIGERATED DISPLAY CASES FOR SALE IN THE UNITED STATES MEET OR EXCEED DEPARTMENT OF ENERGY EFFICIENCY REQUIREMENTS.

VRB 12'

Rev Date:	Rev #	Revision Description:
06/16/16	0	
06/16/16		
06/16/16		

