

ELECTRICAL DATA

Case Length	Fans Per Case	High Efficiency Fans	
		120 Volts	
		Amps	Watts
1-door	1	0.22	26.0
2-door	1	0.22	26.0
3-door	2	0.43	52.0
4-door	2	0.43	52.0
5-door	3	0.65	78.0
6-door	3	0.65	78.0
4'	1	0.22	26.0
6'	2	0.43	52.0
8'	2	0.43	52.0
12'	3	0.65	78.0

LIGHTING DATA

Case Length	Door Size	LED Lighting							
		Optimax Pro		Vista Optimax Pro		GE Immersion		Crossfire/Polaris	
		120 Volts		120 Volts		120 Volts		120 Volts	
		Amps	Watts	Amps	Watts	Amps	Watts	Amps	Watts
1-door	30"	0.16	20.0	0.16	20.0	0.13	16.0	0.13	15.0
2-door	30"	0.33	39.0	0.33	39.0	0.27	32.0	0.25	30.0
3-door	30"	0.48	58.0	0.48	58.0	0.40	48.0	0.38	45.0
4-door	30"	0.64	77.0	0.64	77.0	0.53	64.0	0.50	60.0
5-door	30"	0.80	96.0	0.80	96.0	0.67	80.0	0.63	75.0
6-door	30"	0.96	115.0	0.96	115.0	0.80	96.0	0.75	90.0
4'	24"	0.2	20.0	0.2	20.0	0.1	16.0	0.1	60.0
6'	24"	0.73	87.0	0.53	63.0	---	---	---	---
8'	24"	0.73	87.0	0.53	63.0	---	---	---	---
8'	32"	0.48	58.0	---	---	0.40	48.0	0.38	45.0
12'	24"	1.08	130.0	0.78	94.0	---	---	---	---
12'	36"	0.64	77.0	---	---	0.53	64.0	0.50	60.0



COMPONENT

ALL MEASUREMENTS ARE TAKEN PER ASHRAE-72-2005 SPECIFICATIONS. HILLPHOENIX REFRIGERATED DISPLAY CASES FOR SALE IN THE UNITED STATES MEET OR EXCEED DEPARTMENT OF ENERGY EFFICIENCY REQUIREMENTS.

ORB

Rev Date:	Rev #	Revision Description:
06/16/16	0	



ANTI-CONDENSATE DATA

Case Length	Door Size	Anthony					
		101		Eliminaator		Vista-C 060	
		120 Volts		120 Volts		120 Volts	
		Amps	Watts	Amps	Watts	Amps	Watts
1-door	30"	0.40	48.4	0.39	47.0	0.49	59.0
2-door	30"	0.75	90.5	0.75	90.0	0.92	110.0
3-door	30"	1.11	132.6	1.11	133.0	1.34	161.0
4-door	30"	1.44	173.1	1.44	173.0	1.60	192.0
5-door	30"	1.75	210.5	1.75	210.0	1.95	234.0
6-door	30"	2.14	256.7	2.14	257.0	2.25	270.0
4'	24"	---	---	---	---	0.87	104.4
6'	24"	---	---	---	---	1.20	144.0
8'	24"	---	---	---	---	1.43	172.0
8'	32"	1.13	135.0	1.13	135.0	---	---
12'	24"	---	---	---	---	1.95	234.0
12'	36"	1.55	186.5	1.56	187.0	---	---

GUIDELINES & CONTROL DATA

Application	Doors	Door Size	BTUH/door		Superheat Set Point @ Bulb (°F)	Evaporator (°F)	Discharge Air (°F)	Discharge Air Velocity (FPM)
			Conventional	Parallel				
Beverage	1 - 6 doors	30"	597	564	6 - 8	34	38	380
Beverage	4'	24"	433	409	6 - 8	34	38	380
Beverage	6'	24"	433	409	6 - 8	34	38	380
Beverage	8'	24"	433	409	6 - 8	34	38	380
Beverage	8'	32"	627	592	6 - 8	34	38	380
Beverage	12'	24"	433	409	6 - 8	34	38	380
Beverage	12'	36"	723	683	6 - 8	34	38	380
Deli / Dairy	1 - 6 doors	30"	629	594	6 - 8	32	36	380
Deli / Dairy	4'	24"	454	429	6 - 8	32	36	380
Deli / Dairy	6'	24"	454	429	6 - 8	32	36	380
Deli / Dairy	8'	24"	454	429	6 - 8	32	36	380
Deli / Dairy	8'	32"	654	618	6 - 8	32	36	380
Deli / Dairy	12'	24"	454	429	6 - 8	32	36	380
Deli / Dairy	12'	36"	755	713	6 - 8	32	36	380
Meat	1 - 6 doors	30"	715	675	6 - 8	28	34	380
Meat	4'	24"	542	512	6 - 8	28	36	380
Meat	6'	24"	542	512	6 - 8	28	34	380
Meat	8'	24"	542	512	6 - 8	28	34	380
Meat	8'	32"	772	729	6 - 8	28	34	380
Meat	12'	24"	542	512	6 - 8	28	34	380
Meat	12'	36"	887	838	6 - 8	28	34	380



COMPONENT

ORB

ALL MEASUREMENTS ARE TAKEN PER ASHRAE-72-2005 SPECIFICATIONS. HILLPHOENIX REFRIGERATED DISPLAY CASES FOR SALE IN THE UNITED STATES MEET OR EXCEED DEPARTMENT OF ENERGY EFFICIENCY REQUIREMENTS.

Rev Date:	Rev #	Revision Description:
06/16/16	0	



DEFROST DATA

Defrosts Per Day	Timed-Off Defrost	
	Fail-Safe (Min)	Termination Temp (°F)
4	30	47

NOTES:

- 8-foot cases can consist of 3 (32") doors or 4 (24") doors; 12-foot cases can consist of 4 (36") doors or 6 (24") doors.
- Data listed for Optimax Pro lighting represent the low power option. High power lights are also available.
- NOTE: "-" indicates that feature is that feature is not an option on this case model.
- Anti-condensate heat values represent a door with no heat.
- Listed discharge air velocity represents the average velocity at the peak of defrost.
- Temperature and defrost settings listed above are recommended start-up settings. Final operational settings may need to be adjusted for the store conditions in which the case operates.
- The recommended evaporator temperatures may need to be adjusted based on system setup, store conditions, etc. The minimum recommended evaporator temperature is 4°F below the listed evaporator temperature.



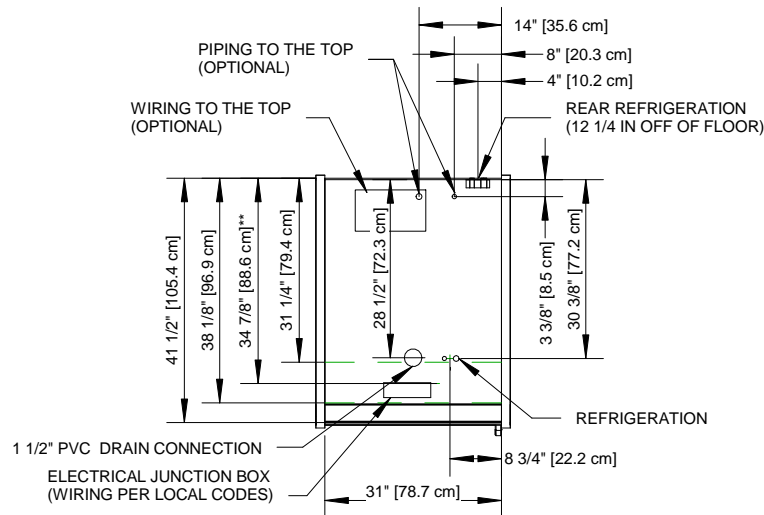
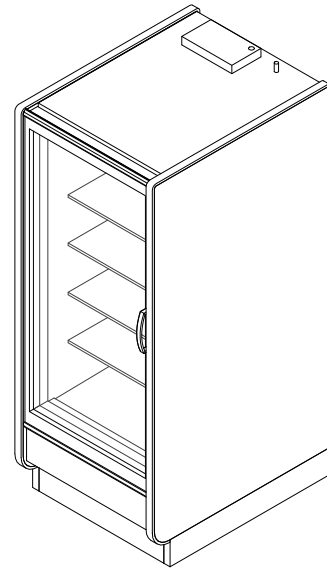
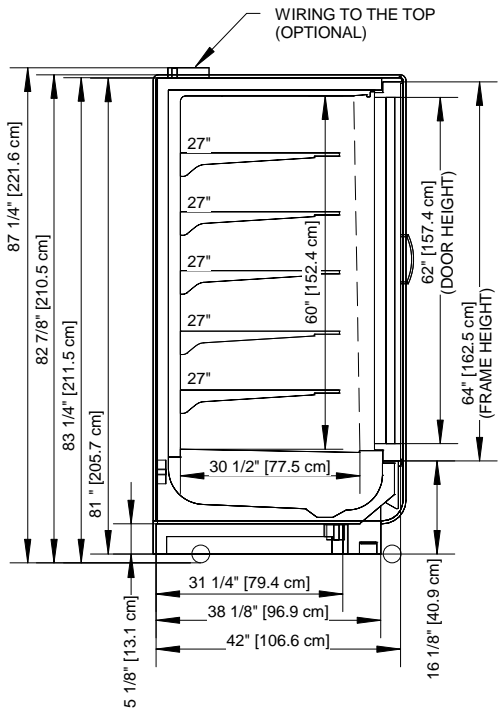
COMPONENT

ORB

ALL MEASUREMENTS ARE TAKEN PER ASHRAE-72-2005 SPECIFICATIONS. HILLPHOENIX REFRIGERATED DISPLAY CASES FOR SALE IN THE UNITED STATES MEET OR EXCEED DEPARTMENT OF ENERGY EFFICIENCY REQUIREMENTS.

Rev Date:	Rev #	Revision Description:
06/16/16	0	





NOTES:

- * : STUB-UP AREA
- ** : RECOMMENDED STUB-UP CENTERLINE FOR ELECTRICAL AND HUB DRAINS

- ENDS ADD APPROXIMATELY 1" TO CASE HEIGHT, 1/2" TO THE BACK & 1" TO THE FRONT
- WIRING TO THE TOP ADDS APPROXIMATELY 4 INCHES TO CASE HEIGHT
- A 2" MINIMUM AIR GAP IS REQUIRED BETWEEN THE REAR OF THE CASE AND THE WALL
- SUCTION LINE: (2 DR & 3 DR) - 5/8", SUCTION LINE (4DR, 5DR, & 6DR) - 7/8"
- LIQUID LINE WITH HOT GAS DEFROST (ALL LENGTHS) - 3/8"
- LIQUID LINE (ALL LENGTHS) - 1/2"
- AVAILABLE SHELF SIZES: SOLID SHELVES 24" & 27"
- RECOMMENDED CONFIGURATION IS (5) - 27" SHELVES



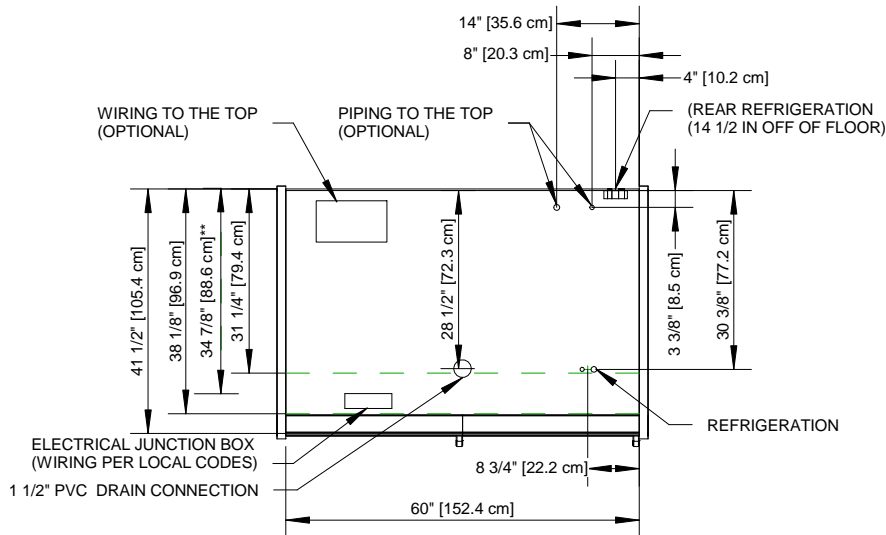
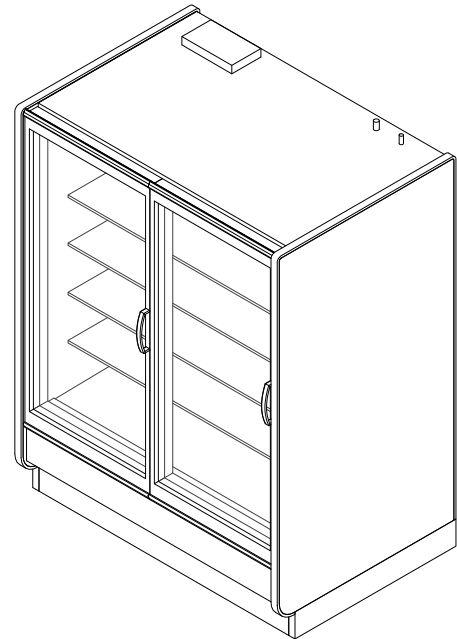
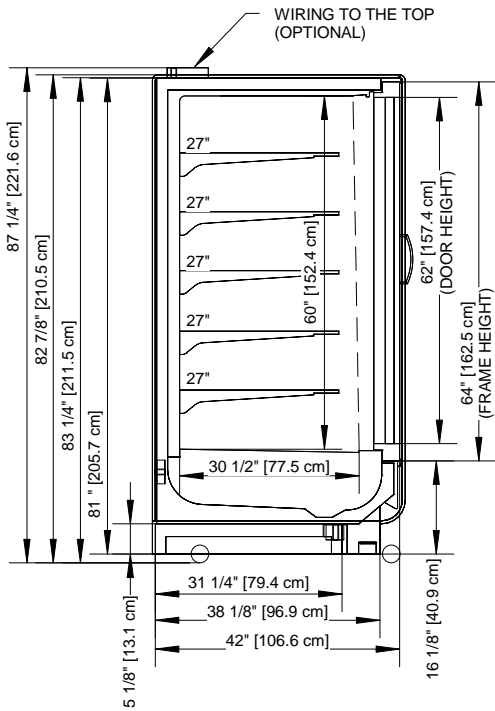
COMPONENT

ALL MEASUREMENTS ARE TAKEN PER ASHRAE-72-2005 SPECIFICATIONS. HILLPHOENIX REFRIGERATED DISPLAY CASES FOR SALE IN THE UNITED STATES MEET OR EXCEED DEPARTMENT OF ENERGY EFFICIENCY REQUIREMENTS.

ORB 1 DOOR

Rev Date:	Rev #	Revision Description:
06/16/16	0	
06/16/16		
06/16/16		





NOTES:

- * : STUB-UP AREA
- ** : RECOMMENDED STUB-UP CENTERLINE FOR ELECTRICAL AND HUB DRAINS

- ENDS ADD APPROXIMATELY 1" TO CASE HEIGHT, 1/2" TO THE BACK & 1" TO THE FRONT
- WIRING TO THE TOP ADDS APPROXIMATELY 4 INCHES TO CASE HEIGHT
- A 2" MINIMUM AIR GAP IS REQUIRED BETWEEN THE REAR OF THE CASE AND THE WALL
- SUCTION LINE: (2 DR & 3 DR) - 5/8", SUCTION LINE (4DR, 5DR, & 6DR) - 7/8"
- LIQUID LINE WITH HOT GAS DEFOST (ALL LENGTHS) - 3/8"
- LIQUID LINE (ALL LENGTHS) - 1/2"
- AVAILABLE SHELF SIZES: SOLID SHELVES 24" & 27"
- RECOMMENDED CONFIGURATION IS (5) - 27" SHELVES



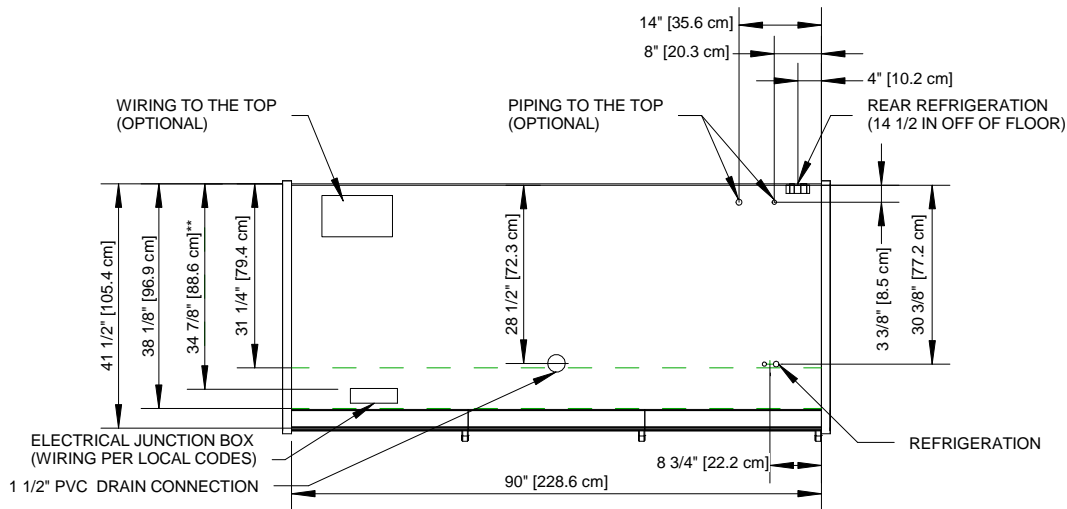
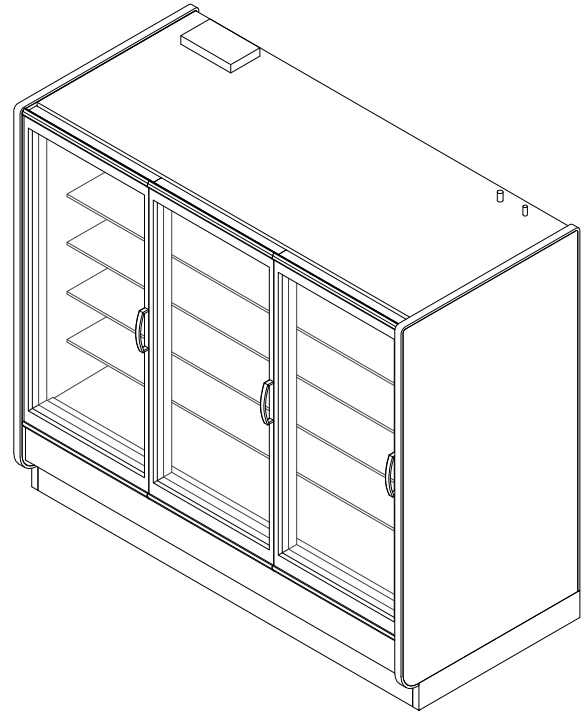
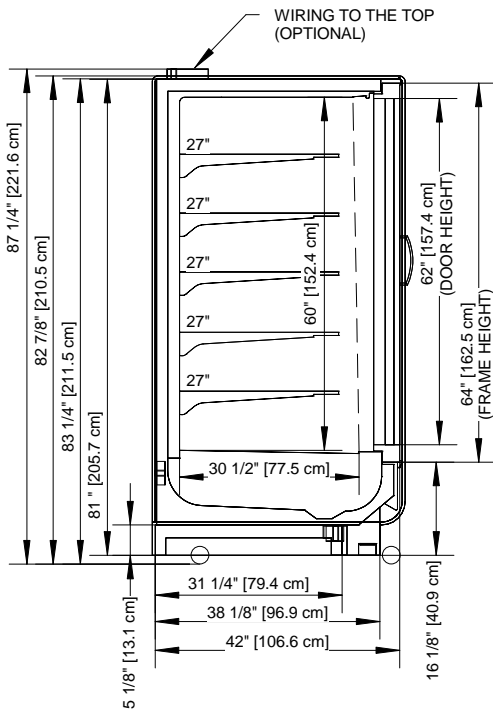
COMPONENT

ALL MEASUREMENTS ARE TAKEN PER ASHRAE-72-2005 SPECIFICATIONS. HILLPHOENIX REFRIGERATED DISPLAY CASES FOR SALE IN THE UNITED STATES MEET OR EXCEED DEPARTMENT OF ENERGY EFFICIENCY REQUIREMENTS.

ORB 2 DOOR

Rev Date:	Rev #	Revision Description:
06/16/16	0	
06/16/16		
06/16/16		





NOTES:

*: STUB-UP AREA

** : RECOMMENDED STUB-UP CENTERLINE FOR ELECTRICAL AND HUB DRAINS

- ENDS ADD APPROXIMATELY 1" TO CASE HEIGHT, 1/2" TO THE BACK & 1" TO THE FRONT
- WIRING TO THE TOP ADDS APPROXIMATELY 4 INCHES TO CASE HEIGHT
- A 2" MINIMUM AIR GAP IS REQUIRED BETWEEN THE REAR OF THE CASE AND THE WALL
- SUCTION LINE: (2 DR & 3 DR) - 5/8", SUCTION LINE (4DR, 5DR, & 6DR) - 7/8"
- LIQUID LINE WITH HOT GAS DEFOST (ALL LENGTHS) - 3/8"
- LIQUID LINE (ALL LENGTHS) - 1/2"
- AVAILABLE SHELF SIZES: SOLID SHELVES 24" & 27"
- RECOMMENDED CONFIGURATION IS (5) - 27" SHELVES



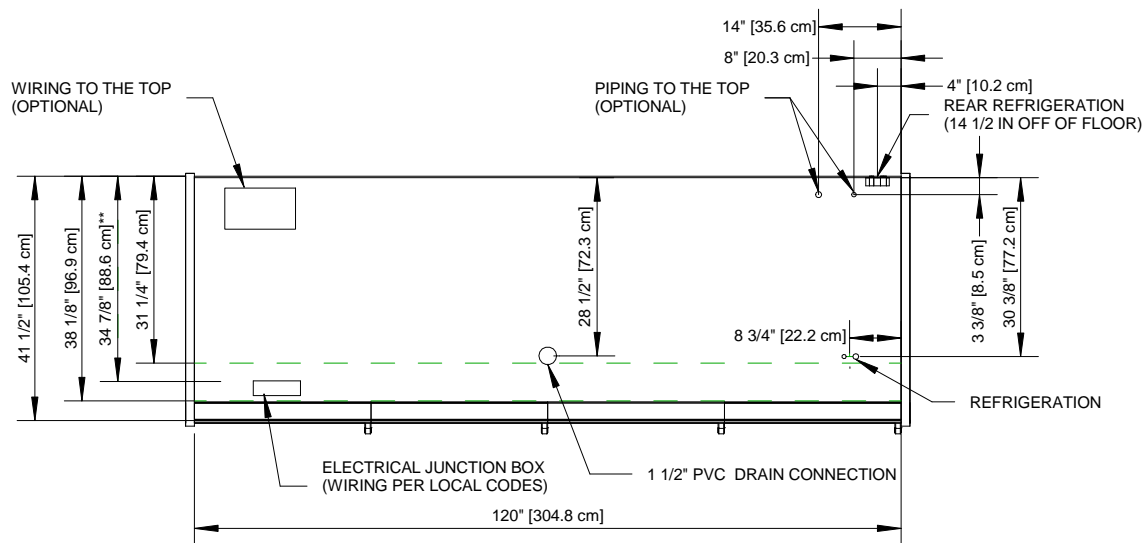
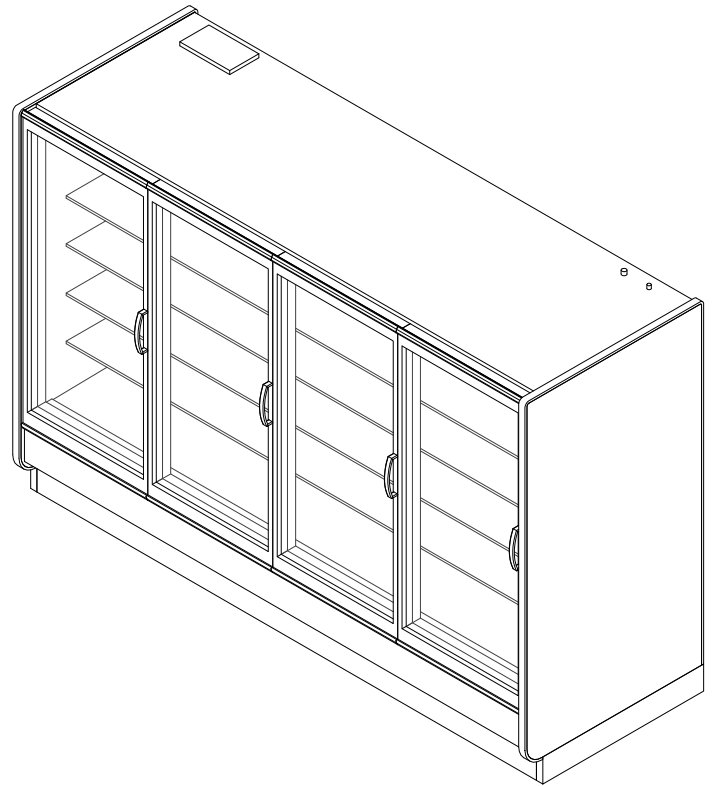
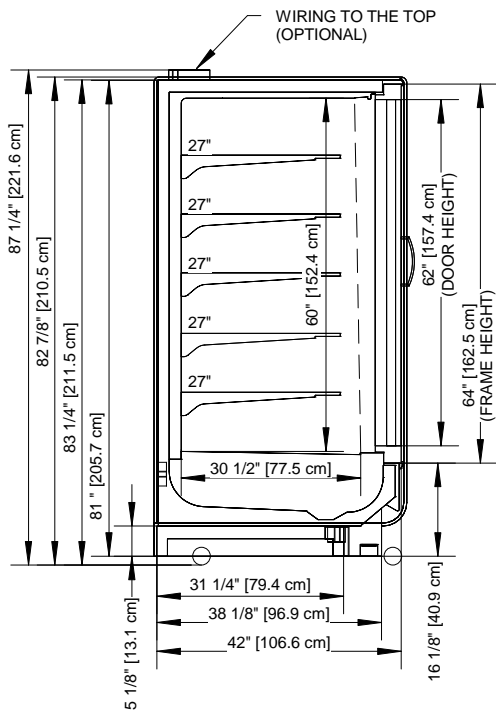
COMPONENT

ALL MEASUREMENTS ARE TAKEN PER ASHRAE-72-2005 SPECIFICATIONS. HILLPHOENIX REFRIGERATED DISPLAY CASES FOR SALE IN THE UNITED STATES MEET OR EXCEED DEPARTMENT OF ENERGY EFFICIENCY REQUIREMENTS.

ORB 3 DOOR

Rev Date:	Rev #	Revision Description:
06/16/16	0	
06/16/16		
06/16/16		





NOTES:

- * : STUB-UP AREA
- ** : RECOMMENDED STUB-UP CENTERLINE FOR ELECTRICAL AND HUB DRAINS

- ENDS ADD APPROXIMATELY 1" TO CASE HEIGHT, 1/2" TO THE BACK & 1" TO THE FRONT
- WIRING TO THE TOP ADDS APPROXIMATELY 4 INCHES TO CASE HEIGHT
- A 2" MINIMUM AIR GAP IS REQUIRED BETWEEN THE REAR OF THE CASE AND THE WALL
- SUCTION LINE: (2 DR & 3 DR) - 5/8", SUCTION LINE (4DR, 5DR, & 6DR) - 7/8"
- LIQUID LINE WITH HOT GAS DEFROST (ALL LENGTHS) - 3/8"
- LIQUID LINE (ALL LENGTHS) - 1/2"
- AVAILABLE SHELF SIZES: SOLID SHELVES 24" & 27"
- RECOMMENDED CONFIGURATION IS (5) - 27" SHELVES



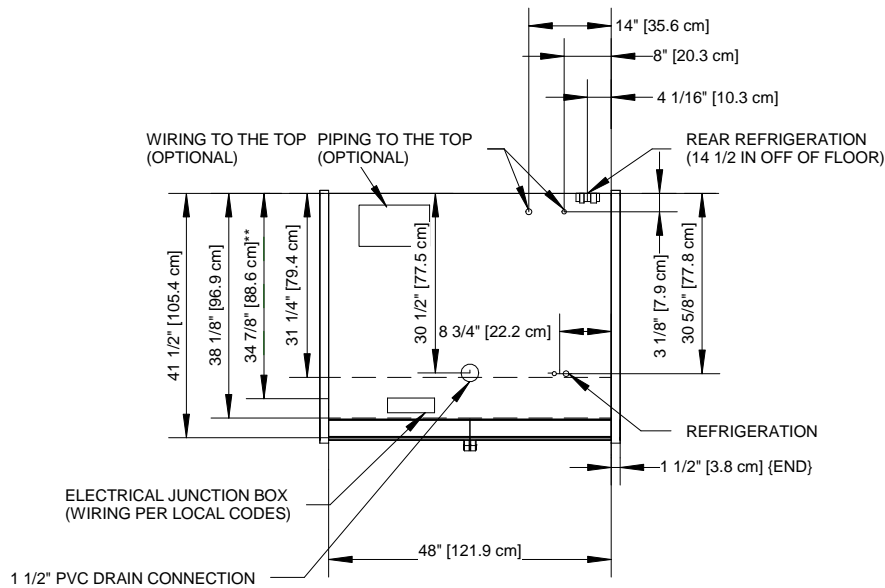
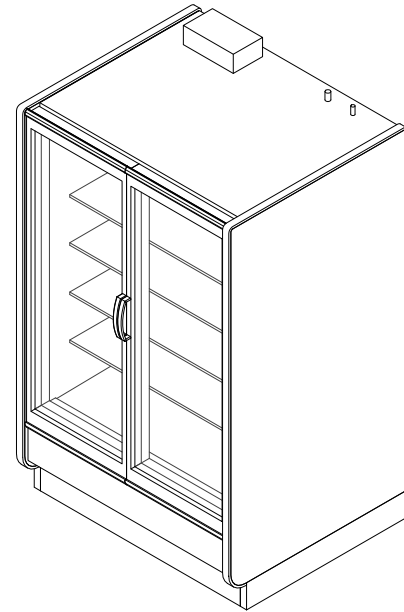
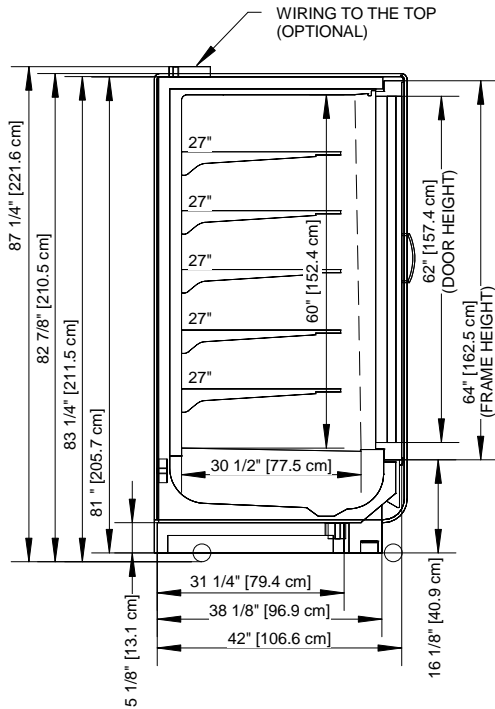
COMPONENT

ALL MEASUREMENTS ARE TAKEN PER ASHRAE-72-2005 SPECIFICATIONS. HILLPHOENIX REFRIGERATED DISPLAY CASES FOR SALE IN THE UNITED STATES MEET OR EXCEED DEPARTMENT OF ENERGY EFFICIENCY REQUIREMENTS.

ORB 4 DOOR

Rev Date:	Rev #	Revision Description:
06/16/16	0	
06/16/16		
06/16/16		



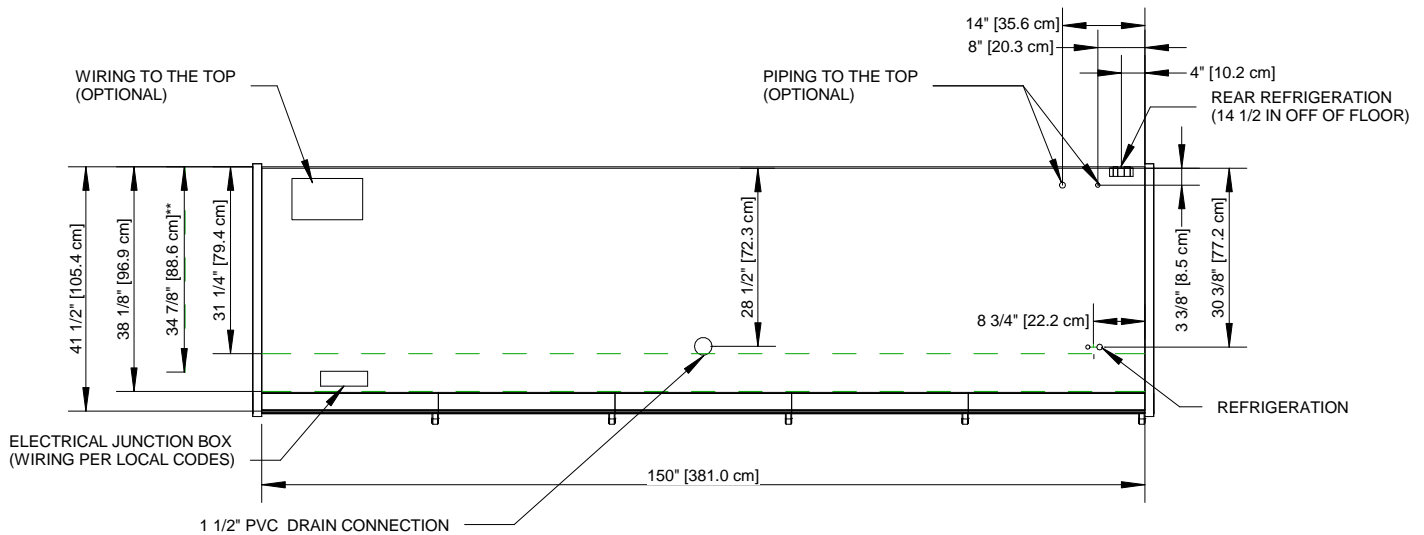
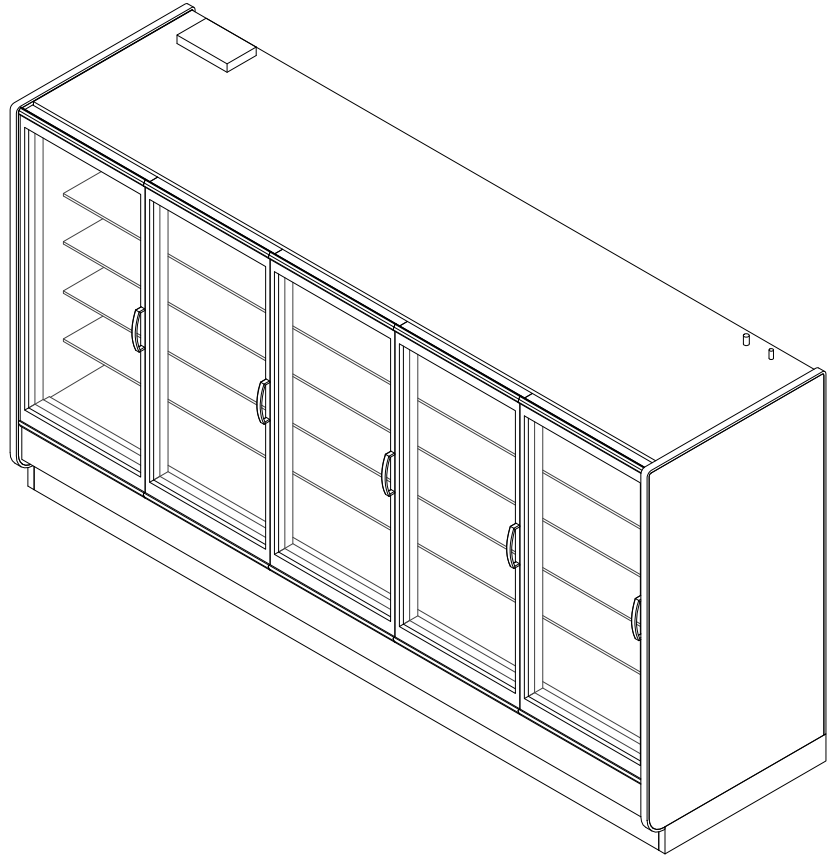
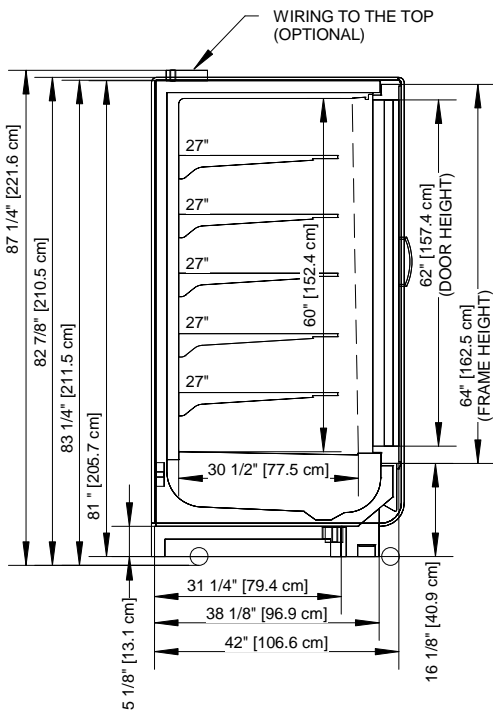


COMPONENT

ALL MEASUREMENTS ARE TAKEN PER ASHRAE-72-2005 SPECIFICATIONS. HILLPHOENIX REFRIGERATED DISPLAY CASES FOR SALE IN THE UNITED STATES MEET OR EXCEED DEPARTMENT OF ENERGY EFFICIENCY REQUIREMENTS.

ORB 4'

Rev Date:	Rev #	Revision Description:
06/16/16	0	



NOTES:

- * : STUB-UP AREA
- ** : RECOMMENDED STUB-UP CENTERLINE FOR ELECTRICAL AND HUB DRAINS

- ENDS ADD APPROXIMATELY 1" TO CASE HEIGHT, 1/2" TO THE BACK & 1" TO THE FRONT
- WIRING TO THE TOP ADDS APPROXIMATELY 4 INCHES TO CASE HEIGHT
- A 2" MINIMUM AIR GAP IS REQUIRED BETWEEN THE REAR OF THE CASE AND THE WALL
- SUCTION LINE: (2 DR & 3 DR) - 5/8", SUCTION LINE (4DR, 5DR, & 6DR) - 7/8"
- LIQUID LINE WITH HOT GAS DEFOST (ALL LENGTHS) - 3/8"
- LIQUID LINE (ALL LENGTHS) - 1/2"
- AVAILABLE SHELF SIZES: SOLID SHELVES 24" & 27"
- RECOMMENDED CONFIGURATION IS (5) - 27" SHELVES



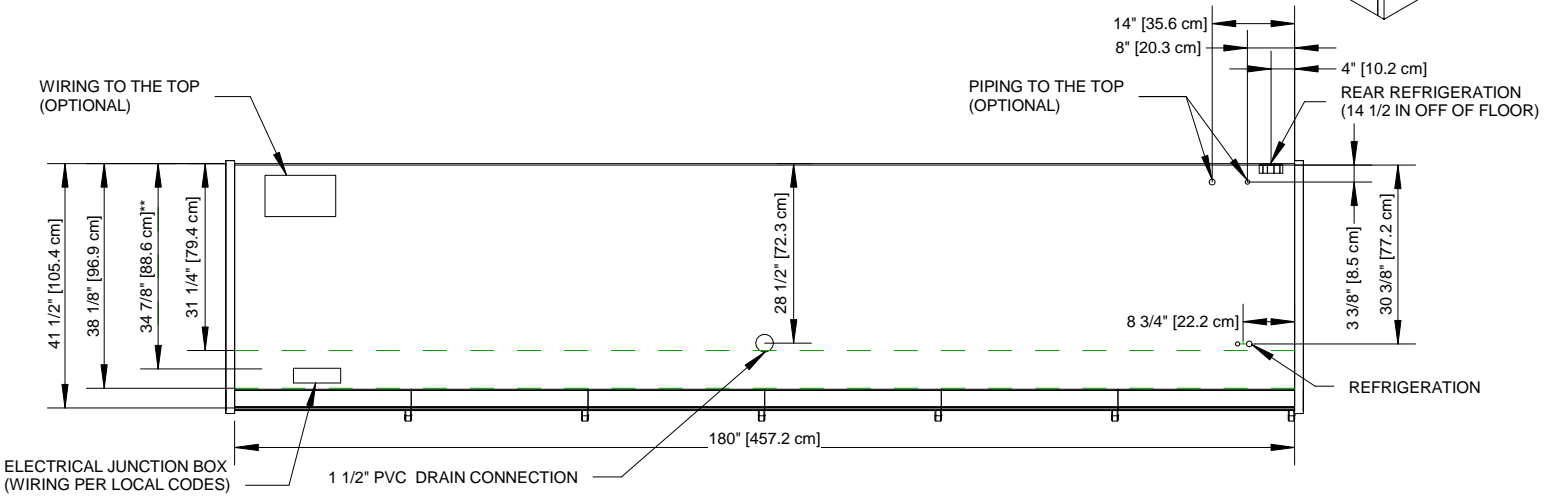
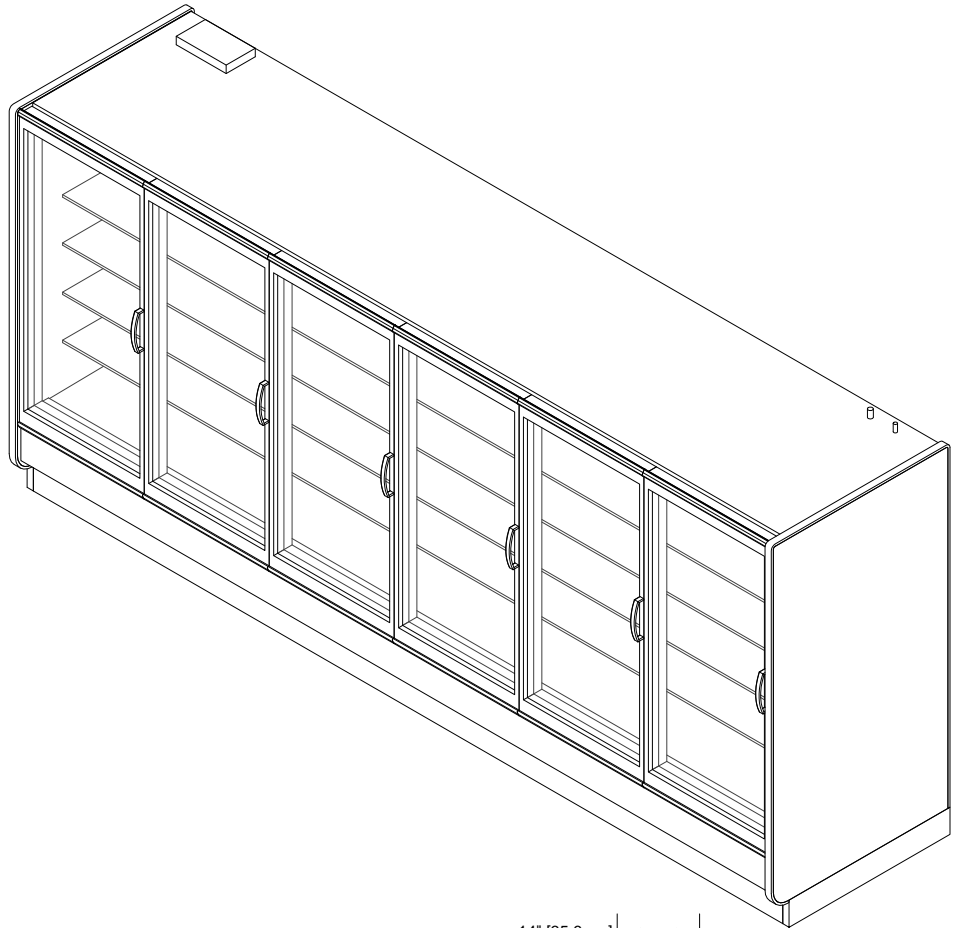
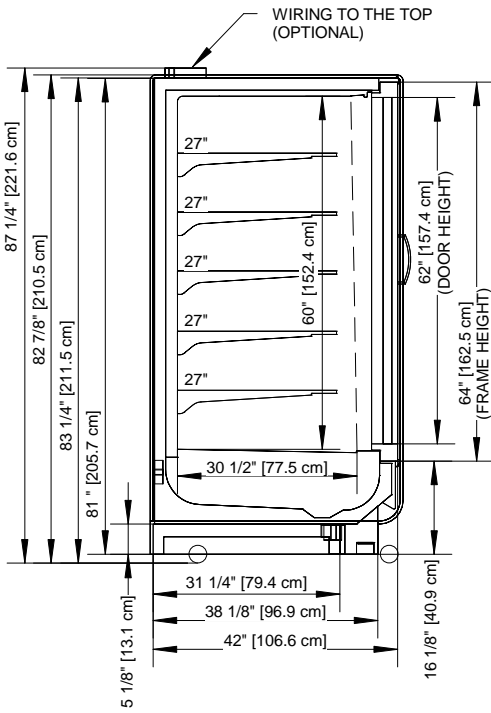
COMPONENT

ALL MEASUREMENTS ARE TAKEN PER ASHRAE-72-2005 SPECIFICATIONS. HILLPHOENIX REFRIGERATED DISPLAY CASES FOR SALE IN THE UNITED STATES MEET OR EXCEED DEPARTMENT OF ENERGY EFFICIENCY REQUIREMENTS.

ORB 5 DOOR

Rev Date:	Rev #	Revision Description:
06/16/16	0	
06/16/16		
06/16/16		





NOTES:

- * : STUB-UP AREA
- ** : RECOMMENDED STUB-UP CENTERLINE FOR ELECTRICAL AND HUB DRAINS

- ENDS ADD APPROXIMATELY 1" TO CASE HEIGHT, 1/2" TO THE BACK & 1" TO THE FRONT
- WIRING TO THE TOP ADDS APPROXIMATELY 4 INCHES TO CASE HEIGHT
- A 2" MINIMUM AIR GAP IS REQUIRED BETWEEN THE REAR OF THE CASE AND THE WALL
- SUCTION LINE: (2 DR & 3 DR) - 5/8", SUCTION LINE (4DR, 5DR, & 6DR) - 7/8"
- LIQUID LINE WITH HOT GAS DEFROST (ALL LENGTHS) - 3/8"
- LIQUID LINE (ALL LENGTHS) - 1/2"
- AVAILABLE SHELF SIZES: SOLID SHELVES 24" & 27"
- RECOMMENDED CONFIGURATION IS (5) - 27" SHELVES



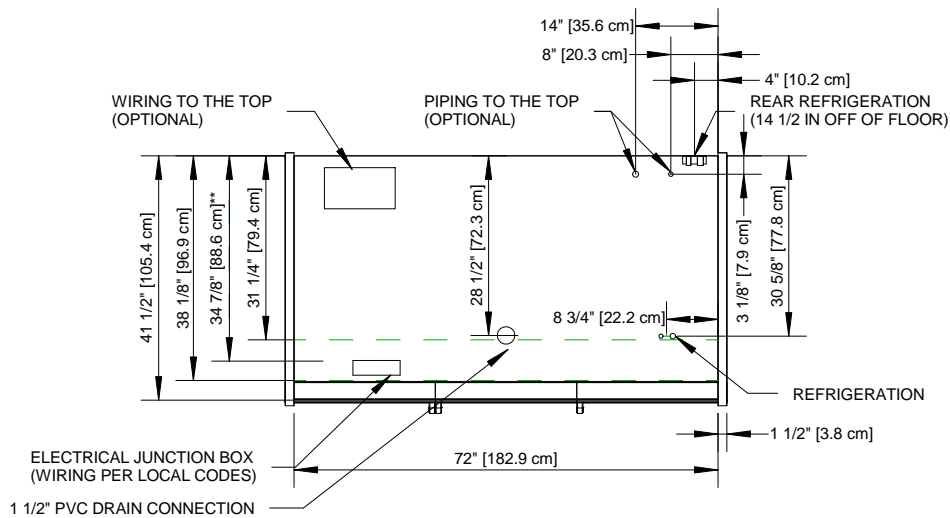
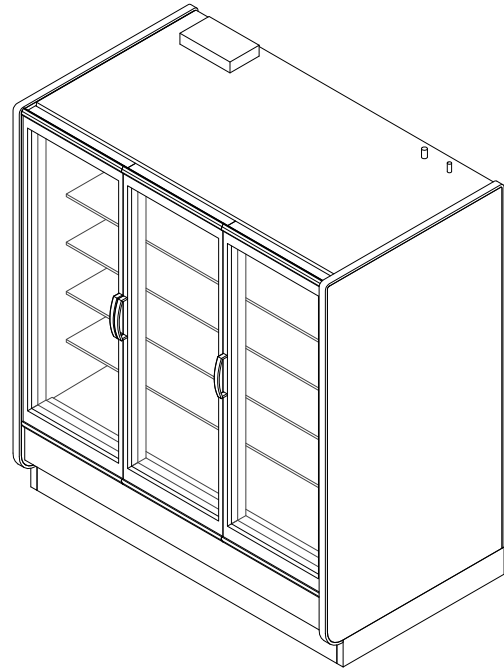
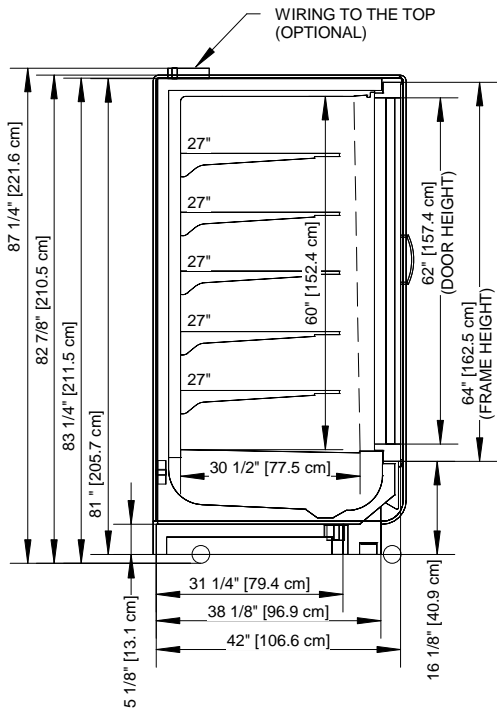
COMPONENT

ALL MEASUREMENTS ARE TAKEN PER ASHRAE-72-2005 SPECIFICATIONS. HILLPHOENIX REFRIGERATED DISPLAY CASES FOR SALE IN THE UNITED STATES MEET OR EXCEED DEPARTMENT OF ENERGY EFFICIENCY REQUIREMENTS.

ORB 6 DOOR

Rev Date:	Rev #	Revision Description:
06/16/16	0	
06/16/16		
06/16/16		





NOTES:

- * : STUB-UP AREA
- ** : RECOMMENDED STUB-UP CENTERLINE FOR ELECTRICAL AND HUB DRAINS

- ENDS ADD APPROXIMATELY 1" TO CASE HEIGHT, 1/2" TO THE BACK & 1" TO THE FRONT
- WIRING TO THE TOP ADDS APPROXIMATELY 4 INCHES TO CASE HEIGHT
- A 2" MINIMUM AIR GAP IS REQUIRED BETWEEN THE REAR OF THE CASE AND THE WALL
- SUCTION LINE: (2 DR & 3 DR) - 5/8", SUCTION LINE (4DR, 5DR, & 6DR) - 7/8"
- LIQUID LINE WITH HOT GAS DEFRÖST (ALL LENGTHS) - 3/8"
- LIQUID LINE (ALL LENGTHS) - 1/2"
- AVAILABLE SHELF SIZES: SOLID SHELVES 24" & 27"
- RECOMMENDED CONFIGURATION IS (5) - 27" SHELVES



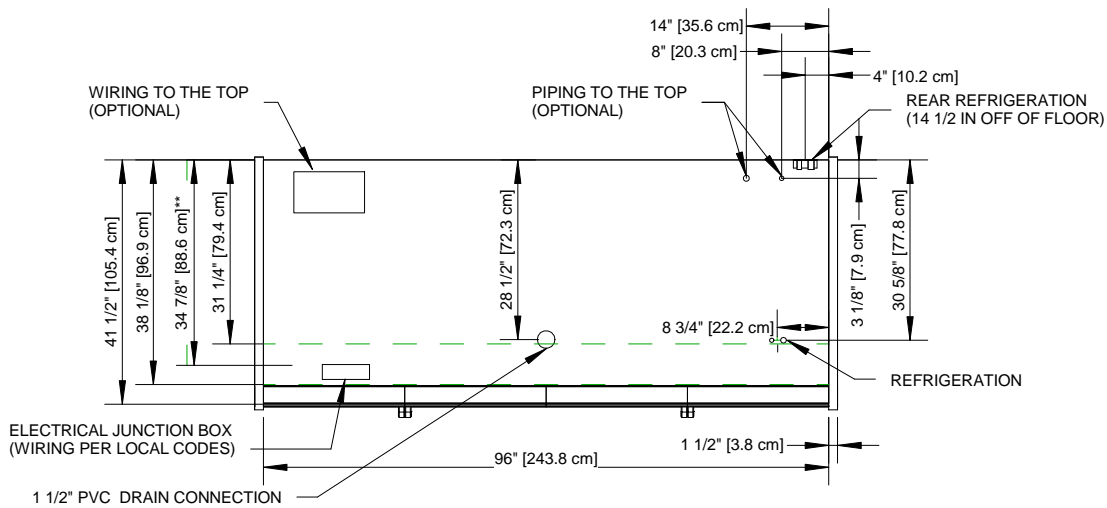
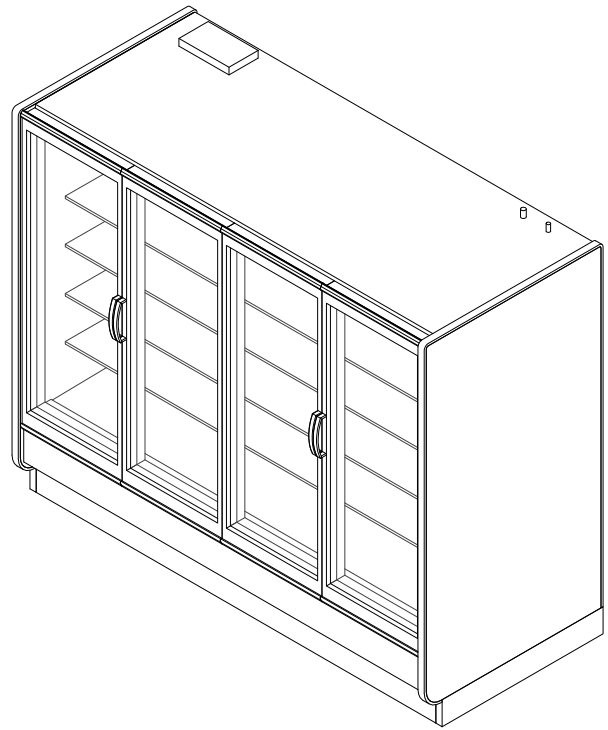
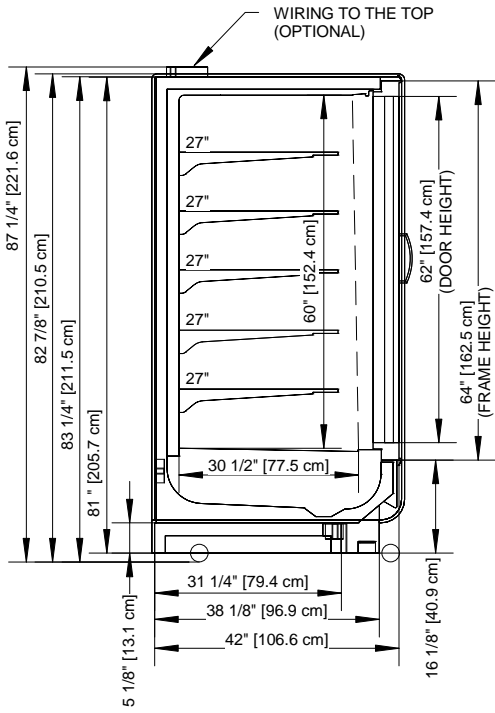
COMPONENT

ALL MEASUREMENTS ARE TAKEN PER ASHRAE-72-2005 SPECIFICATIONS. HILLPHOENIX REFRIGERATED DISPLAY CASES FOR SALE IN THE UNITED STATES MEET OR EXCEED DEPARTMENT OF ENERGY EFFICIENCY REQUIREMENTS.

ORB 6'

Rev Date:	Rev #	Revision Description:
06/16/16	0	
06/16/16		
06/16/16		





NOTES:

* : STUB-UP AREA

** : RECOMMENDED STUB-UP CENTERLINE FOR ELECTRICAL AND HUB DRAINS

- ENDS ADD APPROXIMATELY 1" TO CASE HEIGHT, 1/2" TO THE BACK & 1" TO THE FRONT
- WIRING TO THE TOP ADDS APPROXIMATELY 4 INCHES TO CASE HEIGHT
- A 2" MINIMUM AIR GAP IS REQUIRED BETWEEN THE REAR OF THE CASE AND THE WALL
- SUCTION LINE: (2 DR & 3 DR) - 5/8", SUCTION LINE (4DR, 5DR, & 6DR) - 7/8"
- LIQUID LINE WITH HOT GAS DEFROST (ALL LENGTHS) - 3/8"
- LIQUID LINE (ALL LENGTHS) - 1/2"
- AVAILABLE SHELF SIZES: SOLID SHELVES 24" & 27"
- RECOMMENDED CONFIGURATION IS (5) - 27" SHELVES



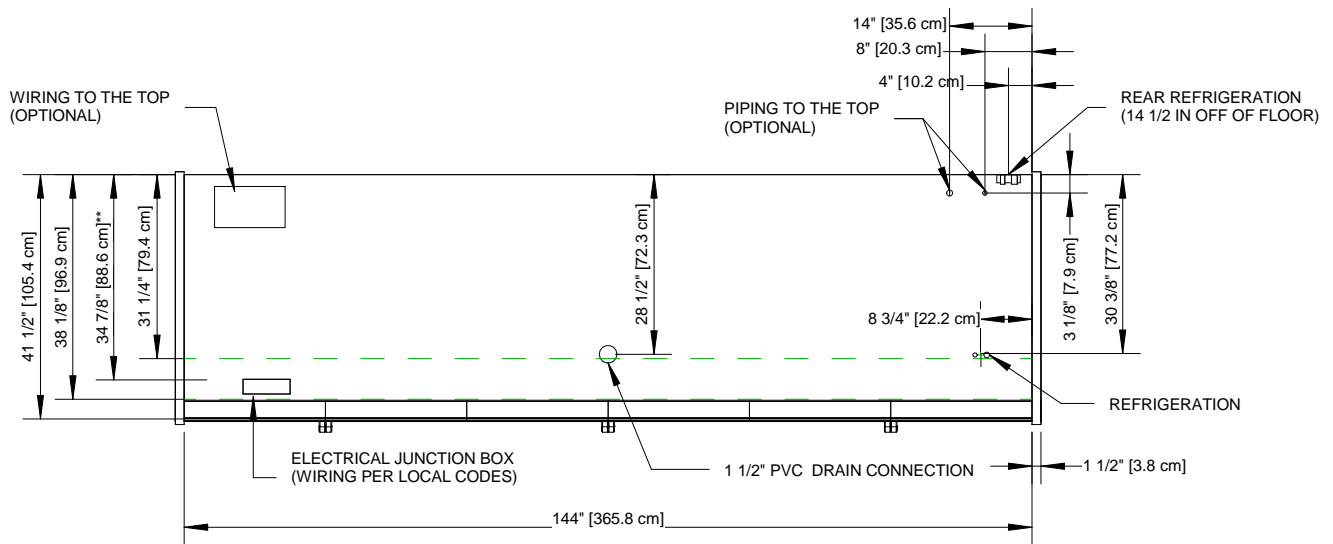
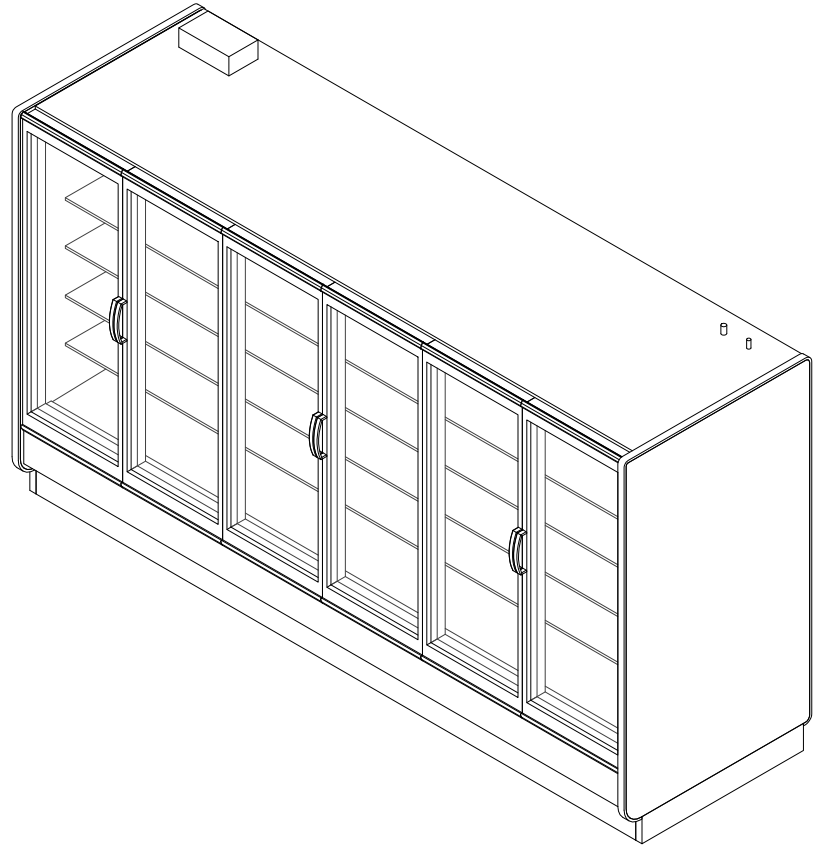
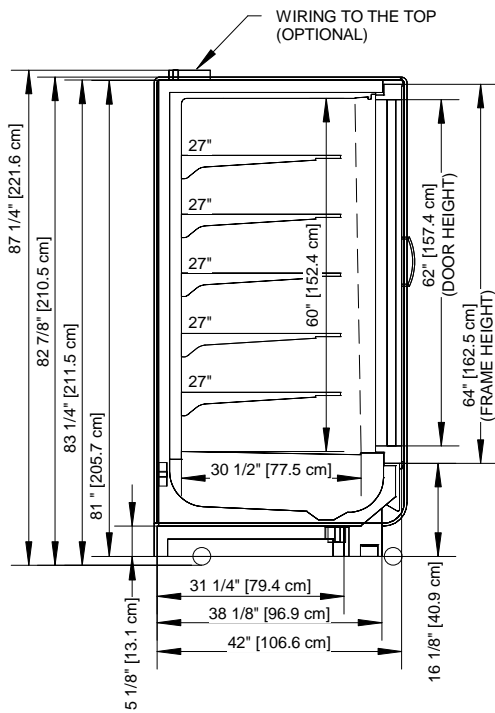
COMPONENT

ORB 8'

ALL MEASUREMENTS ARE TAKEN PER ASHRAE-72-2005 SPECIFICATIONS. HILLPHOENIX REFRIGERATED DISPLAY CASES FOR SALE IN THE UNITED STATES MEET OR EXCEED DEPARTMENT OF ENERGY EFFICIENCY REQUIREMENTS.

Rev Date:	Rev #	Revision Description:
06/16/16	0	
06/16/16		
06/16/16		





NOTES:

- * : STUB-UP AREA
- ** : RECOMMENDED STUB-UP CENTERLINE FOR ELECTRICAL AND HUB DRAINS

- ENDS ADD APPROXIMATELY 1" TO CASE HEIGHT, 1/2" TO THE BACK & 1" TO THE FRONT
- WIRING TO THE TOP ADDS APPROXIMATELY 4 INCHES TO CASE HEIGHT
- A 2" MINIMUM AIR GAP IS REQUIRED BETWEEN THE REAR OF THE CASE AND THE WALL
- SUCTION LINE: (2 DR & 3 DR) - 5/8", SUCTION LINE (4DR, 5DR, & 6DR) - 7/8"
- LIQUID LINE WITH HOT GAS DEFROST (ALL LENGTHS) - 3/8"
- LIQUID LINE (ALL LENGTHS) - 1/2"
- AVAILABLE SHELF SIZES: SOLID SHELVES 24" & 27"
- RECOMMENDED CONFIGURATION IS (5) - 27" SHELVES



COMPONENT

ALL MEASUREMENTS ARE TAKEN PER ASHRAE-72-2005 SPECIFICATIONS. HILLPHOENIX REFRIGERATED DISPLAY CASES FOR SALE IN THE UNITED STATES MEET OR EXCEED DEPARTMENT OF ENERGY EFFICIENCY REQUIREMENTS.

ORB 12'

Rev Date:	Rev #	Revision Description:
06/16/16	0	
06/16/16		
06/16/16		

