

Service Multi-Deck Merchandiser w/ Curved Lift Glass

SSA-RG REMOTE GRAVITY - 4', 6', 8', & 12'

Electrical Data

Model		Fans per Case	High Efficiency Fans		Anti-Condensate Fans		Drain Heaters		Optional Defrost Heaters			
			120 Volts		120 Volts		120 Volts		208 Volts		240 Volts	
			Amps	Watts	Amps	Watts	Amps	Watts	Amps	Watts	Amps	Watts
SSA-RG	4'	2	0.3	22	---	---	---	---	---	---	---	---
	6'	2	0.3	22	---	---	---	---	---	---	---	---
	8'	3	0.45	33	---	---	---	---	---	---	---	---
	12'	4	0.6	44	---	---	---	---	---	---	---	---

Lighting Data

Model		Lights per Row	Light Length (ft)	Fluorescent Lighting (Per Light Row)		Clearvoyant LED Lighting (Per Light Row)			
						Standard Power (Cornice or Shelf)		High Power (Cornice)	
				120 Volts		120 Volts		120 Volts	
				Amps	Watts	Amps	Watts	Amps	Watts
SSA-RG	4'	1	4	0.23	28	0.1	11.9	0.22	26.2
	6'	2	3	0.37	44	0.14	16.6	0.3	35.8
	8'	2	4	0.47	56	0.2	23.8	0.44	52.4
	12'	3	4	0.7	84	0.3	35.7	0.66	78.6

Guidelines & Control Settings (DX)

Model	Conventional ² BTUHs/ft	Parallel ³ BTUHs/ft	Superheat Set Point @ Bulb (°F)	Evaporator (°F)	Discharge Air (°F)	Discharge Air ⁴ Velocity (FPM)
SSA-RG	295	284	6-8	20	26	125

Defrost Controls

Model	Defrosts ⁵ per Day	Run-Off Time (min)	Electric Defrost		Timed-Off Defrost		Hot Gas Defrost	
			Fail-Safe (min)	Termination Temp (°F)	Fail-Safe (min)	Termination Temp (°F)	Fail-Safe (min)	Termination Temp (°F)
SSA-RG	3	6-8	---	---	30	45	20	60

1 NOTE: "-" indicates data not applicable.

2,3 Listed BTUH indicates unlighted shelves. Add the following for lighted shelves:

4' Fluorescent: 80 BTUH

3' Fluorescent: 60 BTUH

4' Shelf LED: 36 BTUH

4' Canopy LED: 72 BTUH

3' Shelf LED: 27 BTUH

3' Hi-Output LED: 54 BTUH

4 Average discharge air velocity at peak of defrost.

5 Units equipped with RH systems require 2 defrosts per day with a fail-safe of 120 minutes.

Engineered for stores with ambient conditions not to exceed 75° and 55% relative humidity.

Due to engineering improvements specifications may change without notice.

All measurements are taken per ASHRAE - 72 - 2005 specifications.

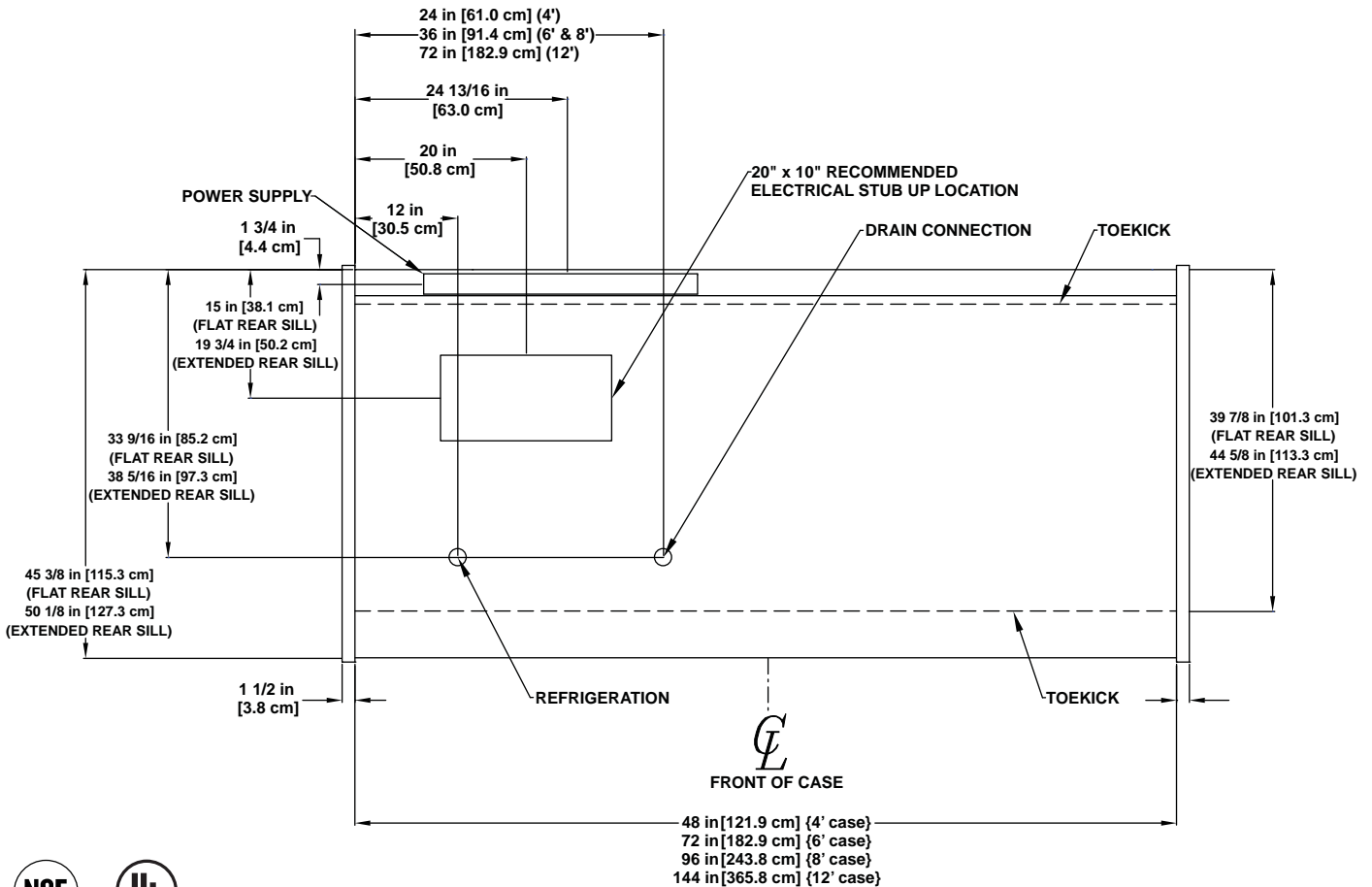
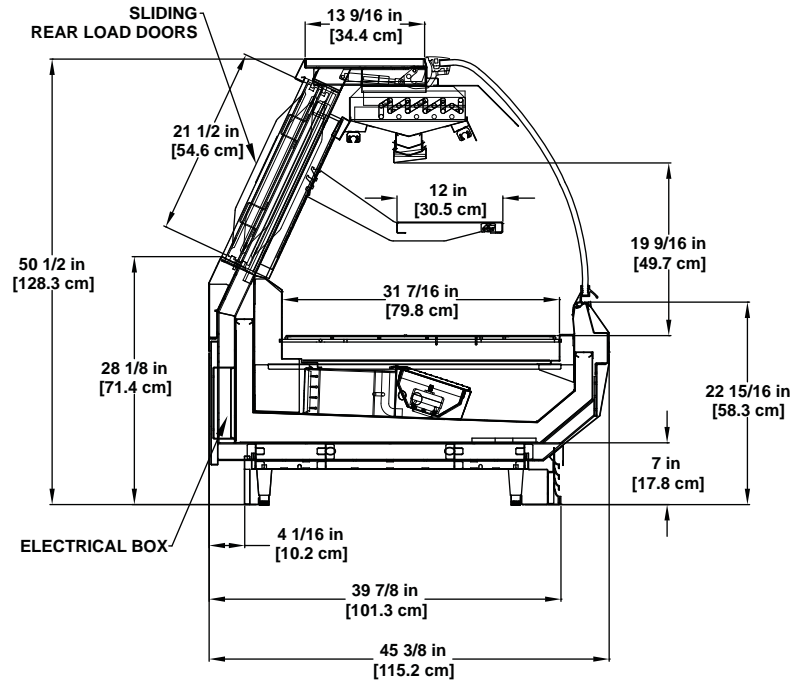
Numbers are based on standard case sizes. Consult engineering.



SSA-RG
(Remote Gravity)

Hillphoenix

A DOVER COMPANY



SERVICE
MULTI-DECK

Deji



*SHOWN WITH OPTIONAL SHELVING