

# Self-Service Open Single-Deck Merchandiser

**DLPC REMOTE - 4', 6', 8', 10', 12', EW-22 1/2, IW-22 1/2, EW-45, IW-45, EW-90, & IW-90**

## Electrical Data

Model		Fans per Case	High Efficiency Fans		Anti-Condensate Fans		Drain Heaters		Optional Defrost Heaters	
			120 Volts		120 Volts		120 Volts		208 Volts	
			Amps	Watts	Amps	Watts	Amps	Watts	Amps	Watts
DLPC	4'	1	0.3	36	---	---	---	---	---	---
	6'	2	0.6	72	---	---	---	---	---	---
	8'	3	0.9	108	---	---	---	---	---	---
	10'	3	0.9	108	---	---	---	---	---	---
	12'	4	1.2	144	---	---	---	---	---	---
	EW-22 1/2	1	0.3	36	---	---	---	---	---	---
	IW-22 1/2	1	0.3	36	---	---	---	---	---	---
	EW-45	1	0.3	36	---	---	---	---	---	---
	IW-45	1	0.3	36	---	---	---	---	---	---
	EW-90	2	0.6	72	---	---	---	---	---	---
IW-90	2	0.6	72	---	---	---	---	---	---	

## Lighting Data

Model		Lights per Row	Light Length (ft)	Fluorescent Lighting (Per Light Row)		Clearvoyant LED Lighting (Per Light Row)			
				120 Volts		Standard Power (Cornice or Shelf)		High Power (Cornice)	
				Amps	Watts	120 Volts		120 Volts	
				Amps	Watts	Amps	Watts	Amps	Watts
DLPC	4'	1	4	0.27	32.4	0.12	14.4	0.2	24
	6'	2	3	0.34	40.8	0.18	21.6	0.3	36
	8'	2	4	0.47	56.4	0.24	28.8	0.4	48
	10'	2	5	0.61	73.2	0.3	36	0.5	60
	12'	3	4	0.68	81.6	0.36	43.2	0.6	72
	EW-22 1/2	---	---	---	---	---	---	---	---
	IW-22 1/2	---	---	---	---	---	---	---	---
	EW-45	1	3	0.21	25.2	0.09	10.8	0.15	18
	IW-45	1	2	0.15	18	0.06	7.2	0.1	12
	EW-90	1	4	0.27	32.4	0.12	14.4	0.2	24
IW-90	1	3	0.21	25.2	0.09	10.8	0.15	18	

## Guidelines & Control Settings (DX)

Model	<sup>2</sup> BTUHs/ft	Superheat Set Point @ Bulb (°F)	Evaporator (°F)	Discharge Air (°F)	Discharge Air <sup>3</sup> Velocity (FPM)
DLPC	650	10	20	28	200

## Defrost Controls

Model	Defrosts per Day	Run-Off Time (min)	Electric Defrost		Timed-Off Defrost		Hot Gas Defrost	
			Fail-Safe (min)	Termination Temp (°F)	Fail-Safe (min)	Termination Temp (°F)	Fail-Safe (min)	Termination Temp (°F)
DLPC	6	---	---	---	20	---	---	---

1 NOTE: "---" indicates data not applicable.

2 BTUH is given in parallel. Conventional ratings may be approximated by multiplying the listed rating by 1.09.

3 Average discharge air velocity at peak of defrost.

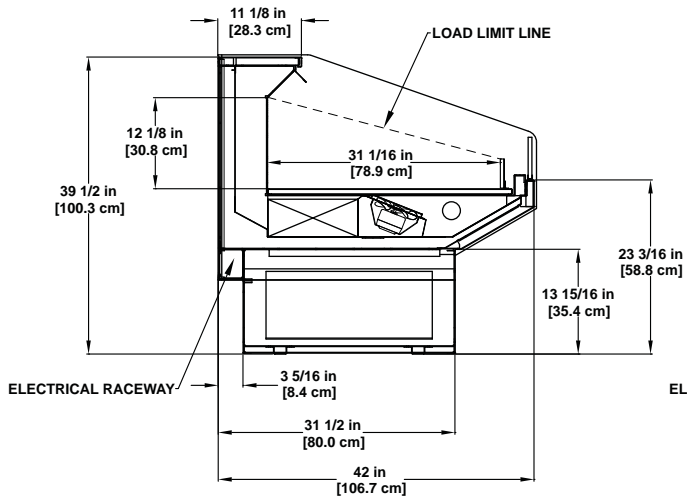
Engineered for stores with ambient conditions not to exceed 75° and 55% relative humidity.

Due to engineering improvements specifications may change without notice.

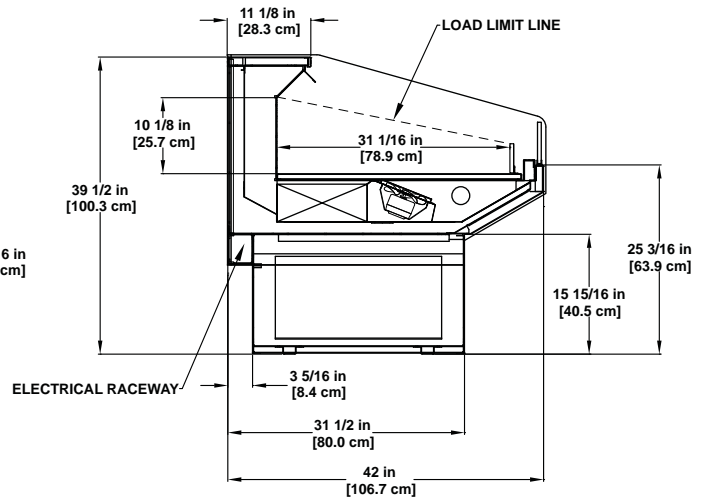
All measurements are taken per ASHRAE - 72 - 2005 specifications.

Numbers are based on standard case sizes. Consult engineering.





**SMD PROFILE**



**SSD PROFILE**

