

Self-Service Open Multi-Deck Back Bar Merchandiser w/ Lower Storage (RRS Optional)

DB REMOTE - 4', 6', 8', 10', & 12'

Electrical Data

Model		Fans per Case	High Efficiency Fans		Anti-Condensate Fans		Drain Heaters		Optional Defrost Heaters		RRS ²		
			120 Volts		120 Volts		120 Volts		120 Volts		Fans per Case	Unit Cooler Fans	
			Amps	Watts	Amps	Watts	Amps	Watts	Amps	Watts		120 Volts	
											Amps	Watts	
DB	4'	2	0.6	72	---	---	---	---	---	---	1	0.8	96
	6'	2	0.6	72	---	---	---	---	---	---	1	1.6	192
	8'	3	0.9	108	---	---	---	---	---	---	2	1.6	192
	10'	4	1.2	144	---	---	---	---	---	---	2	1.6	192
	12'	6	1.2	144	---	---	---	---	---	---	3	3.2	384

Lighting Data

Model		Lights per Row	Light Length (ft)	Fluorescent Lighting (Per Light Row)		Clearvoyant LED Lighting (Per Light Row)							
				120 Volts			Standard Power (Cornice or Shelf)			High Power (Cornice)			
				Amps	Watts	Maximum Allowable Rows	120 Volts			120 Volts			
				Amps	Watts	Maximum Allowable Rows	Amps	Watts	Maximum Allowable Rows	Amps	Watts	Maximum Allowable Rows	
DB	4'	1	4	0.27	32.4	5	0.12	14.4	5	0.2	24	5	
	6'	2	3	0.34	40.8	5	0.18	21.6	5	0.3	36	5	
	8'	2	4	0.47	56.4	5	0.24	28.8	5	0.4	48	5	
	10'	2	5	0.61	73.2	5	0.3	36	5	0.5	60	5	
	12'	3	4	0.68	81.6	5	0.36	43.2	5	0.6	72	5	

Guidelines & Control Settings (DX)

Model		Conventional ³ BTUH/ft	Parallel ⁴ BTUH/ft	Superheat Set Point @ Bulb (°F)	Evaporator (°F)	Discharge Air (°F)	Discharge Air ⁵ Velocity (FPM)
DB	DX	1366	1308	6-8	26	40	75-100
	RRS	180	168	6-8	26	32	75-100

Defrost Controls

Model		Defrosts per Day	Run-Off Time (min)	Electric Defrost		Timed-Off Defrost		Hot Gas Defrost	
				Fail-Safe (min)	Termination Temp (°F)	Fail-Safe (min)	Termination Temp (°F)	Fail-Safe (min)	Termination Temp (°F)
DB	DX	6	---	---	---	30/ ⁶ 10	42	---	---
	RRS	6	---	---	---	30/ ⁷ 20	45	---	---

1 NOTE: " - - - " indicates data not applicable.

2 RRS - Refrigerated Rear Storage

3.4 Listed BTUH indicates unlighted shelves. Add the following for lighted shelves:

4' Fluorescent: 80 BTUH

3' Fluorescent: 60 BTUH

4' Shelf LED: 36 BTUH

4' Canopy LED: 72 BTUH

3' Shelf LED: 27 BTUH

3' Hi-Output LED: 54 BTUH

5 Average discharge air velocity at peak of defrost.

6,7 Time-off duration for defrost with no termination control.

Engineered for stores with ambient conditions not to exceed 75° and 55% relative humidity.

Due to engineering improvements specifications may change without notice.

All measurements are taken per ASHRAE - 72 - 2005 specifications.

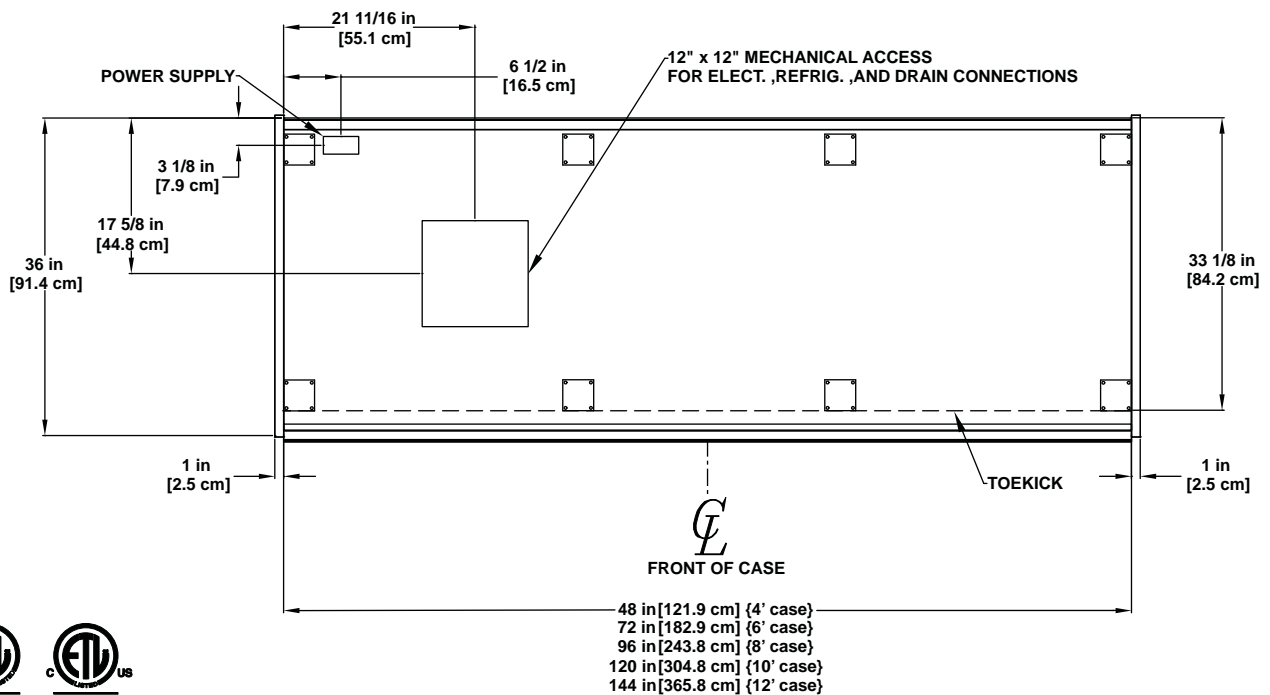
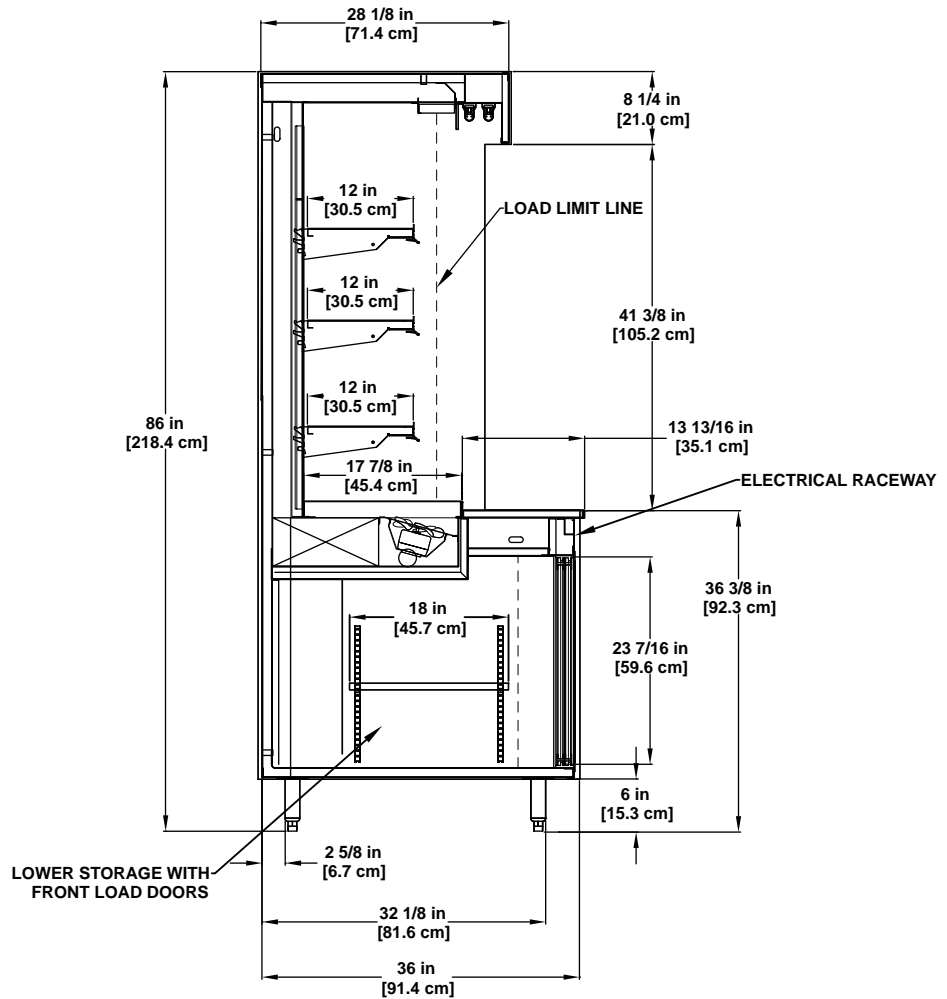
Numbers are based on standard case sizes. Consult engineering.



DB
(Remote)

Hillphoenix

A DOVER COMPANY



SELF-SERVICE
MULTI-DECK

Bakery / Cheese / Deli

