

02.5UMA

Multi-Deck Self-Contained Merchandiser 4', 6' & 8' (Dairy / Deli / Meat / Produce / Seafood)

SYSTEM REQUIREMENTS

Case Length	Volts	Phase	Frequency (Hz)	Plug Style	Cord Length
4'	120	1	60	NEMA L5-20	10'
6'	120	1	60	NEMA L5-30	10'
6'	208/230	1	60	NEMA L14-30	10'
8'	208/230	1	60	NEMA L14-30	10'

GUIDELINES and CONTROL SETTINGS

Suction Pressure @ Case Outlet (psig)	Superheat Set Point @ Bulb (°F)	Discharge Air (°F)	Discharge Air Velocity (FPM)
40	6 - 8	26	225

CONDENSING UNIT DATA

Case Length	Volts	Phase	Frequency (Hz)	Horsepower	Running Load Amps (RLA) (Amps)	Locked Rotor Amps (LRA) (Amps)	Refrigerant	Lbs. of Refrigerant
4'	115	1	60	1/2	10.5	54.5	R404A	3.6
6'	115	1	60	3/4	15.0	70.0	R404A	4.3
6'	208/230	1	60	3/4	6.1	40.0	R404A	4.3
8'	208/230	1	60	1-1/4	11.0	51.0	R404A	5.3

DEFROST CONTROLS

Defrosts Per Day	Electric Defrost		Timed-Off Defrost	
	Fail-Safe (Min)	Termination Temp (°F)	Fail-Safe (Min)	Termination Temp (°F)
3	40	47	45	45

NOTES:

- Plug style: 20 Amp plugs only apply to cases with a relay control on the drain pan.
- Listed discharge air velocity represents the average velocity at the peak of defrost.
- Temperature and defrost settings listed above are recommended start-up settings. Final operational settings may need to be adjusted for the store conditions in which the case operates.
- The recommended evaporator temperatures may need to be adjusted based on system setup, store conditions, etc. The minimum recommended evaporator temperature is 4°F below the listed evaporator temperature.

Hillphoenix

REVISION: 150929_1628

A DOVER COMPANY

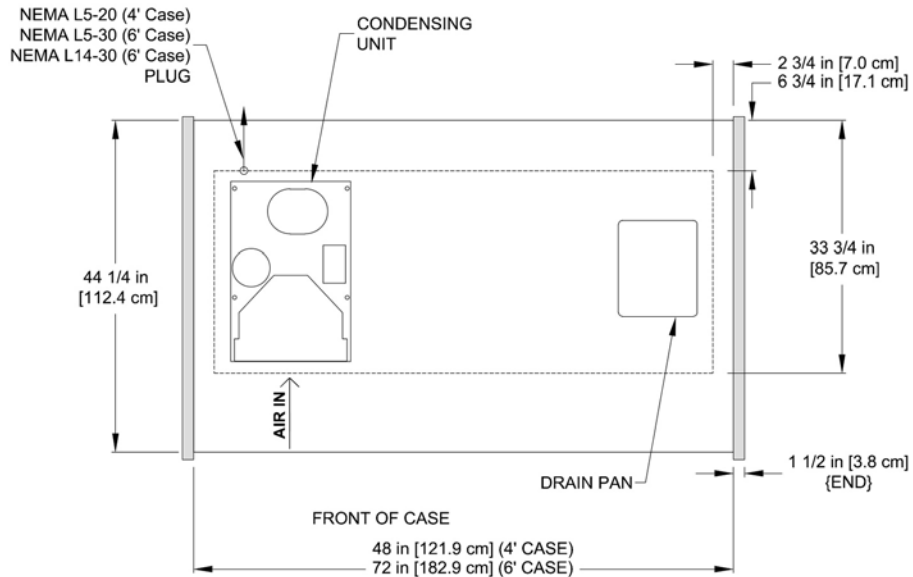
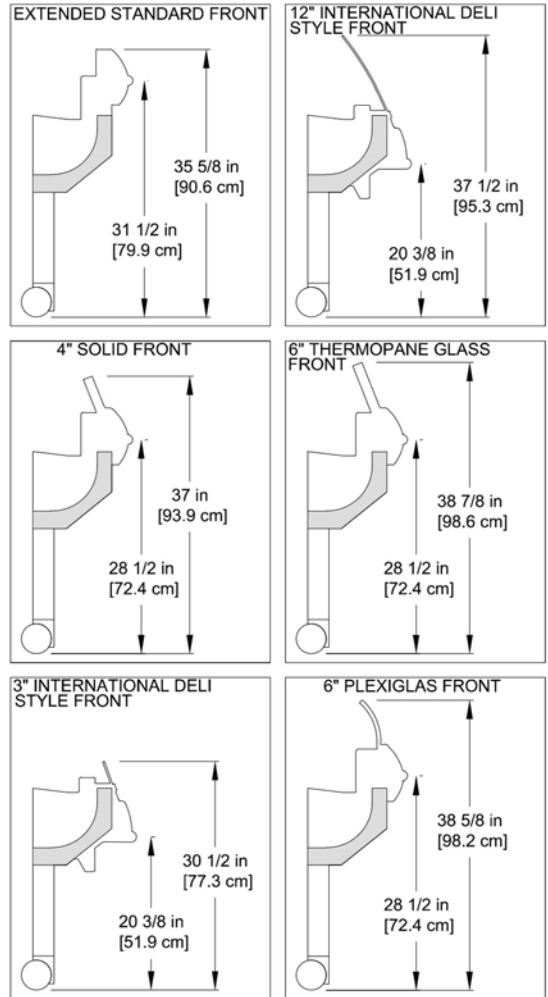
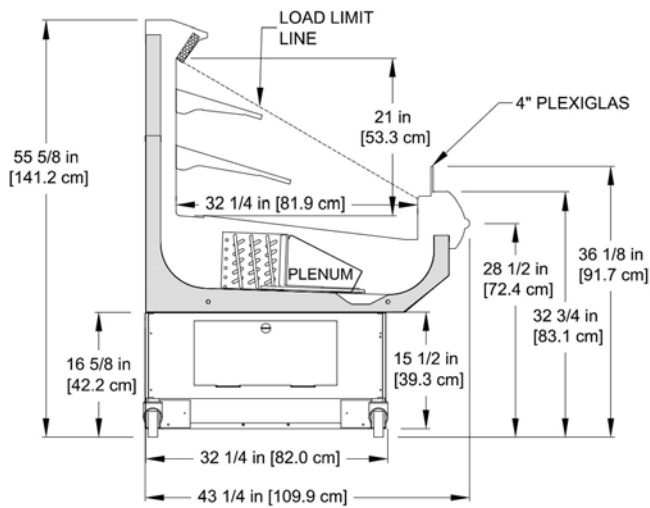


All measurements are taken per ASHRAE - 72 - 2005 specifications. Hillphoenix refrigerated display cases for sale in the United States meet or exceed Department of Energy 2012 energy efficiency requirements.

Defrost Schedule	
Defrosts per Day	Time
1	12 midnight
2	12am - 12pm
3	6am - 2pm - 10pm
4	12am-6am-12pm-6pm
6	12am-4am-8am-12pm-4pm-8pm

02.5UMA Multi-Deck Self-Contained Merchandiser

4', 6' & 8' (Dairy / Deli / Meat / Produce / Seafood)

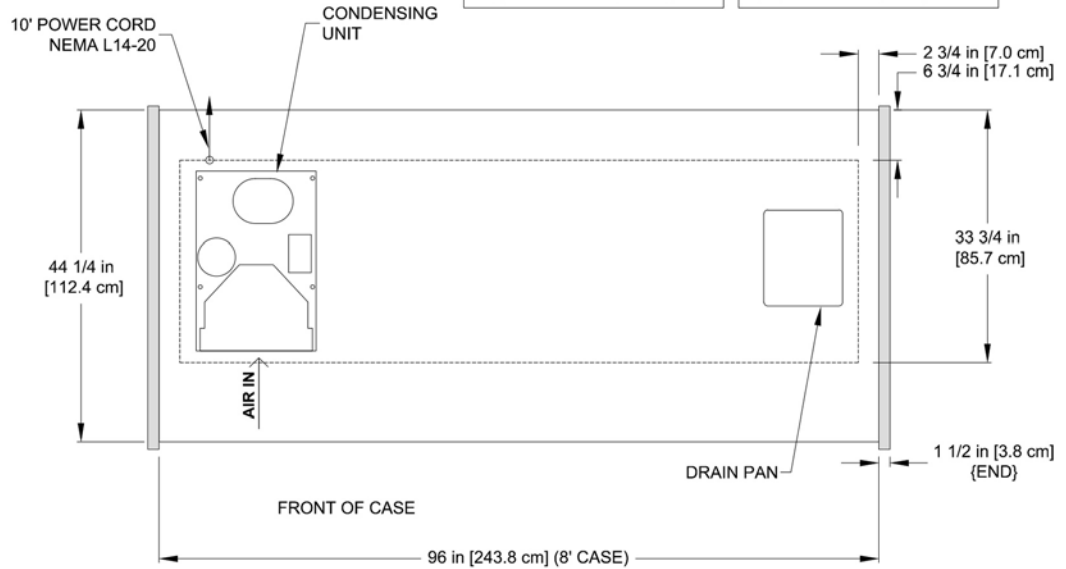
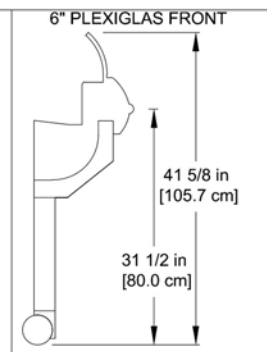
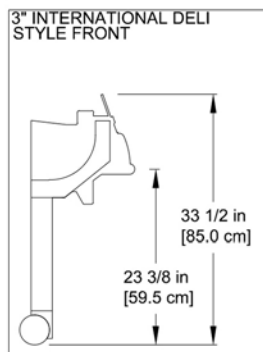
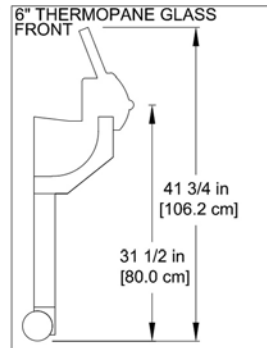
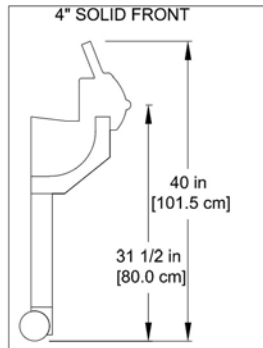
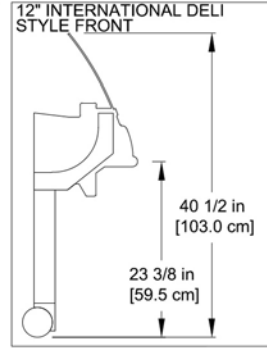
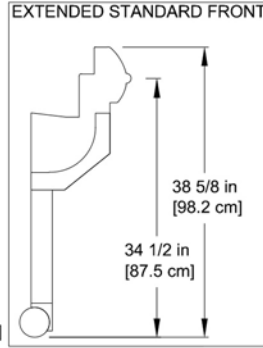
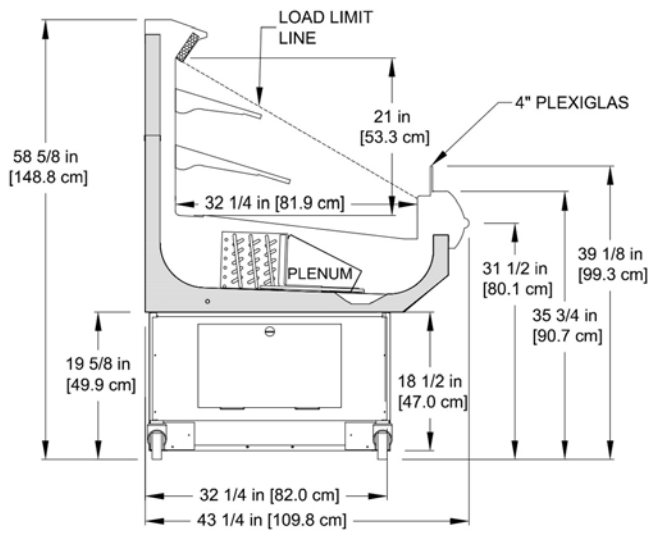


NOTE:
ENDS ADD APPROXIMATELY 1 INCH TO CASE HEIGHT



02.5UMA Multi-Deck Self-Contained Merchandiser

4', 6' & 8' (Dairy / Deli / Meat / Produce / Seafood)



NOTE:
ENDS ADD APPROXIMATELY 1 INCH TO CASE HEIGHT

