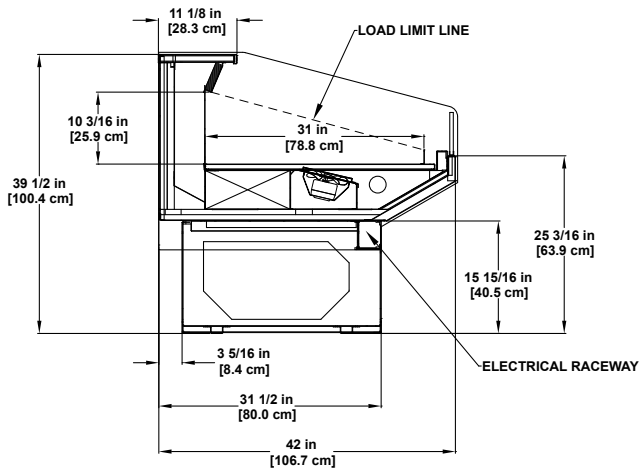


Self-Service Single-Deck

Refrigerated merchandiser for pre-packaged deli items,
produce or beverage.

DLPC





Please consult Hillphoenix Engineering Reference Manual for dimensions, plan views and technical specifications. Specifications subject to change without notice. Designed for optimal performance in store environments where temperature and humidity do not exceed 75°F and 55% R.H. Certified to UL 471, NSF Standard 7 and CAN/CSA C22.2.

Available Options

- Available lengths: 4', 6', 8', 10' and 12'.
- Alternate toekick height include: 13-15/16"H.
- Bullet leg base with adjustable height toekick.
- Cart bumper.
- Interior and exterior stainless steel finish.
- White or other painted metal interior finish.
- Solid surface, stainless steel or stone rear ledge.
- Integrated casetop scalestand.
- Rear flip up work boards.
- ISO outlet/CON outlets (specify vertical or horizontal placement on rear).
- Rear electrical raceway.
- T8 top light.
- LED top lighting.
- Remote glycol or CO₂ refrigeration packages.

Features and Benefits

- Sled runner base construction.
- Standard 39-1/2"H, 42"D with 15-15/16"H toekick height.
- 60 degree front dieboard.
- Painted metal exterior.
- 15-15/16"H adjustable base painted metal to match exterior.
- Stainless steel exterior trim.
- painted metal outside back and case top.
- Black painted metal interior.
- 5-1/2"H polished dieboard plex.
- No top light.
- Front electrical raceway.
- Energy efficient fans.
- Remote DX refrigeration package.



Hillphoenix
a DOWER COMPANY

Keosauqua, IA
319.293.3777
hillphoenix.com

©2014 Hillphoenix, Inc.

SP-DLPCv1014