

OSIOPA International Style Mobile Self-Contained Prep Merchandiser

4' (Deli / Meat / Seafood)

SYSTEM REQUIREMENTS

Volts	Phase	Frequency (Hz)	Plug Style	Cord Length
120	1	60	NEMA L5-20 or NEMA 5-20	10 ft

GUIDELINES and CONTROL SETTINGS

Application	24hr Energy Usage (kWh)	Suction Pressure @ Case Outlet (psig)	Superheat Set Point @ Bulb (°F)	Discharge Air (°F)	Discharge Air Velocity (FPM)
Deli	13.6	20	6 - 8	34.0	200
Meat	18.0	16	6 - 8	32.0	200

CONDENSING UNIT DATA

Volts	Phase	Frequency (Hz)	Horsepower	Running Load Amps (RLA) (Amps)	Locked Rotor Amps (LRA) (Amps)	Refrigerant	Lbs. of Refrigerant
120	1	60	1/3	7.2	29.0	R134A	2.25

DEFROST CONTROLS

Defrosts Per Day	Electric Defrost	
	Fail-Safe (Min)	Termination Temp (°F)
2	40	47

NOTES:

- Listed discharge air velocity represents the average velocity at the peak of defrost.
- Temperature and defrost settings listed above are recommended start-up settings. Final operational settings may need to be adjusted for the store conditions in which the case operates.
- The recommended evaporator temperatures may need to be adjusted based on system setup, store conditions, etc. The minimum recommended evaporator temperature is 4°F below the listed evaporator temperature.

Hillphoenix
REVISION: 150408_0930

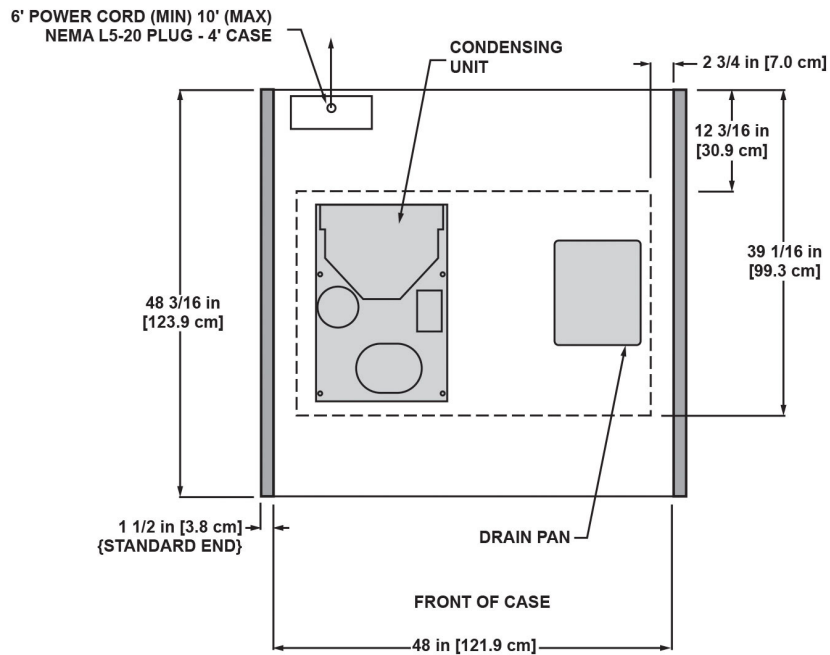
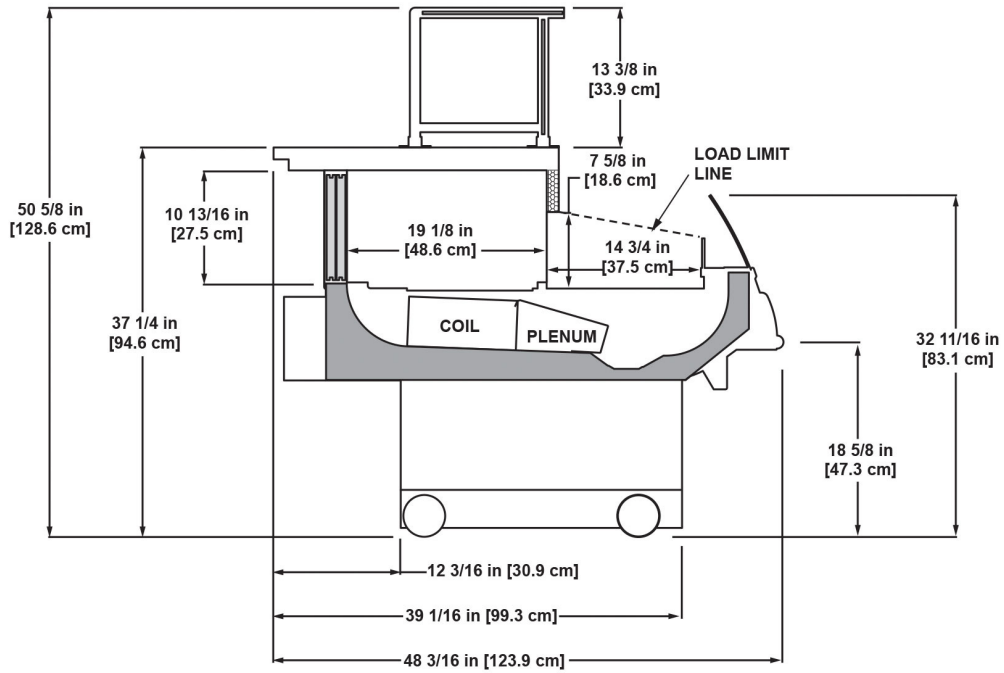
A DOVER COMPANY



COMPONENT

Defrost Schedule	
Defrosts per Day	Time
1	12 midnight
2	12am - 12pm
3	6am - 2pm - 10pm
4	12am-6am-12pm-6pm

All measurements are taken per ASHRAE - 72 - 2005 specifications.
Hillphoenix refrigerated display cases for sale in the United States meet or exceed Department of Energy 2012 energy efficiency requirements.



NOTES:

- ENDS ADD APPROXIMATELY 1 INCH TO CASE HEIGHT