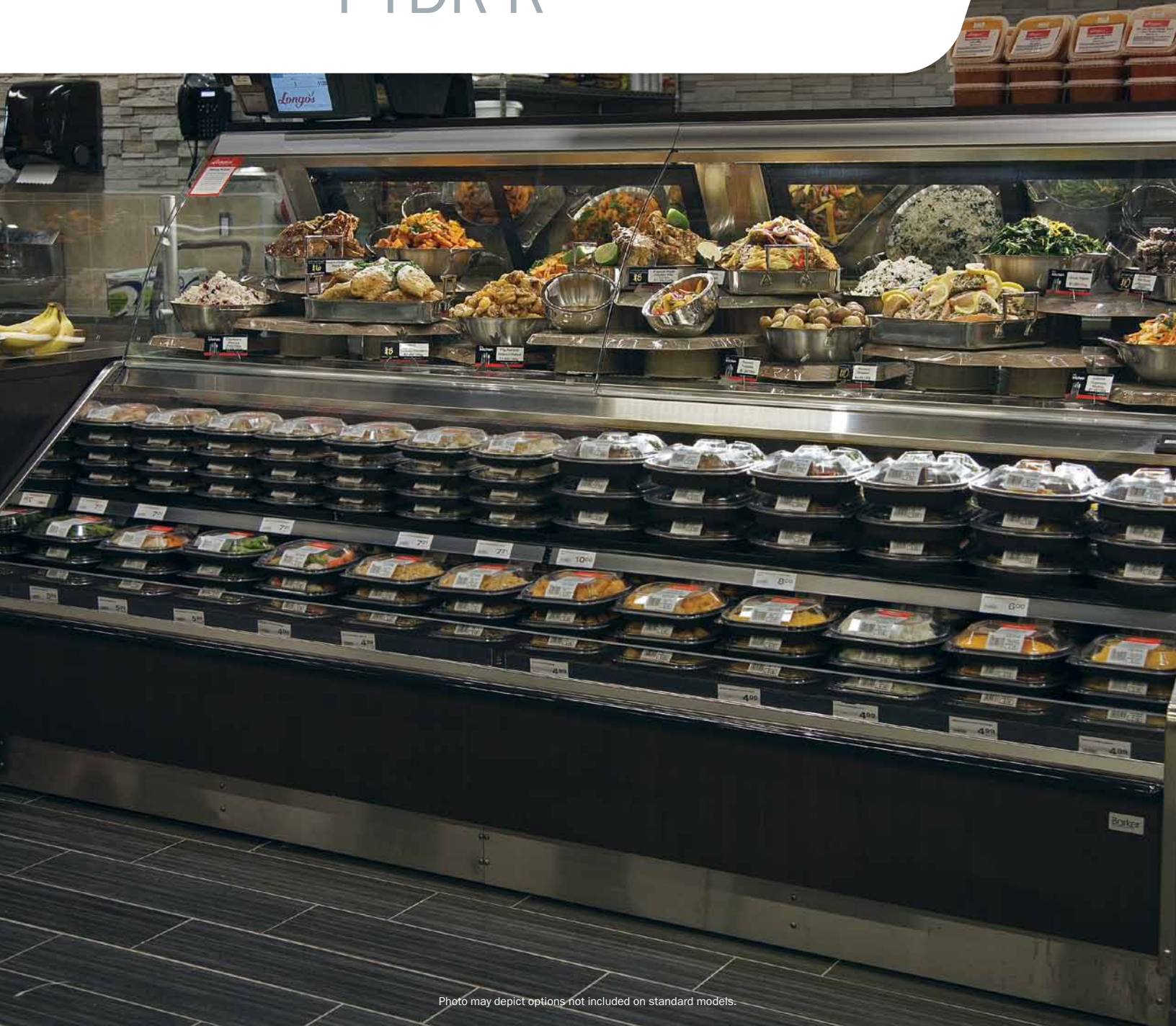
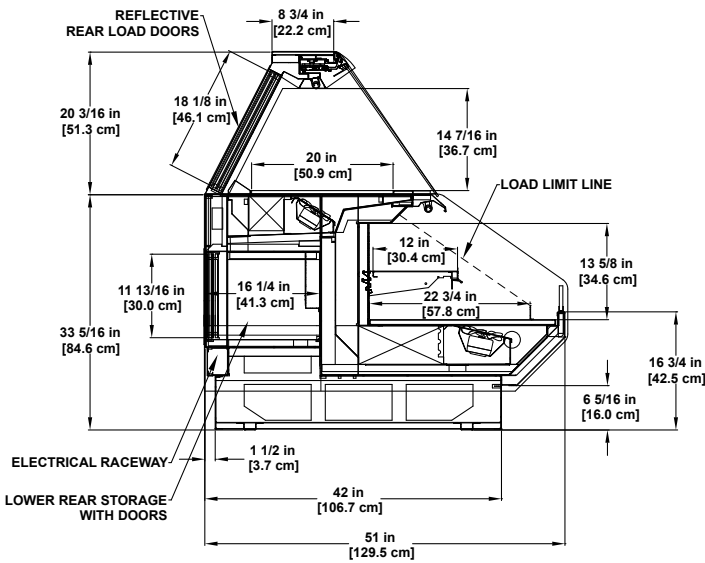


Open Multi-Deck

Combination service dome/self-service base merchandiser for refrigerated bakery, beverage, dairy and deli with lower rear storage.

PTDR-R





Please consult Hillphoenix Engineering Reference Manual for dimensions, plan views and technical specifications. Specifications subject to change without notice. Designed for optimal performance in store environments where temperature and humidity do not exceed 75°F and 55% R.H. Certified to UL 471, NSF Standard 7 and CAN/CSA C22.2.

Available Options

- Available lengths: 4', 6', 8', 10' and 12'.
- Available 38" base height (37-3/8") w/16" dome.
- Available 55" case depth with 16" adjustable angle shelf.
- Alternate toekick height include: 7-13/16"H with no change to the overall height.
- Bullet leg base with adjustable height toekick.
- Black painted metal base trim.
- Cart bumper.
- Interior and exterior stainless steel finish.
- White or other painted metal interior finish.
- 1 Row each 12" and 16" painted metal adjustable shelving with 38" base height.
- Undershelf lighting.
- 10" glass mezzanine shelf (key-rail) for refrigerated dome.
- Clear rear load dome doors.
- Non-glare flat lift front glass.
- LED lighting.
- Solid interior painted, solid interior mirror polish stainless steel, thermal glass divider or glass ends.
- Remote glycol or CO₂ Refrigeration Package.

Features and Benefits

- Sled runner base construction.
- Standard 33-5/16"H Base (34") with 6-5/16" base height.
- Standard 51" case depth.
- Standard 20-1/4" case dome.
- 45 degree dieboard .
- Painted metal exterior.
- Stainless steel exterior and base trim.
- Stainless steel outside back and dome top.

Refrigerated Dome

- Blower coil.
- Reflective rear load doors.
- Single-pane, regular-glare flat lift front glass.
- Black painted metal interior.
- T8 top light.

Refrigerated Base

- 3-1/2" dieboard plex.
- Black painted metal interior.
- Interior trim to match interior.
- (1) row each 12" adjustable angle painted metal shelving w/PTM.
- T8 top light.
- Remote DX refrigeration package.



Hillphoenix
A DOWDY COMPANY

Keosauqua, IA
319.293.3777
hillphoenix.com

©2014 Hillphoenix, Inc.

SP-PTDR-Rv1014