

# 05DRH High Rear Load Multi-Deck Merchandiser

## 8' & 12' (Beverage / Dairy)

### ELECTRICAL DATA

| Case Length | Fans Per Case | High Efficiency Fans |       | Defrost Heaters |       |           |       |
|-------------|---------------|----------------------|-------|-----------------|-------|-----------|-------|
|             |               | 120 Volts            |       | 208 Volts       |       | 240 Volts |       |
|             |               | Amps                 | Watts | Amps            | Watts | Amps      | Watts |
| 8'          | 4             | 1.44                 | 142.0 | 3.85            | 800   | 4.44      | 1065  |
| 12'         | 6             | 2.16                 | 213.0 | 5.78            | 1200  | 6.67      | 1600  |

### LIGHTING DATA

| Case Length | Lights Per Row | Light Length | Clearvoyant LED Lighting (Per Light Row) |       |                      |       |
|-------------|----------------|--------------|--|-------|----------------------|-------|
|             |                |              | Standard Power (Cornice or Shelf)        |       | High Power (Cornice) |       |
|             |                |              | 120 Volts                                |       | 120 Volts            |       |
|             |                |              | Amps                                     | Watts | Amps                 | Watts |
| 8'          | 2              | 4'           | 0.20                                     | 23.8  | 0.36                 | 43.0  |
| 12'         | 3              | 4'           | 0.30                                     | 35.7  | 0.54                 | 64.5  |

### GUIDELINES and CONTROL SETTINGS

| Application | Front Sill Height | BTUH/ft •    |          | Superheat Set Point @ Bulb (°F) | Evaporator (°F) | Discharge Air (°F) | Discharge Air Velocity (FPM) • |
|-------------|-------------------|--------------|----------|---------------------------------|-----------------|--------------------|--------------------------------|
|             |                   | Conventional | Parallel |                                 |                 |                    |                                |
| Dairy       | Std. Dairy        | 1576         | 1423     | 6 - 8                           | 22              | 32                 | 275                            |
| Dairy       | 2.5" Extended     | 1549         | 1398     | 6 - 8                           | 22              | 32                 | 275                            |
| Dairy       | 5" Extended       | 1521         | 1373     | 6 - 8                           | 22              | 32                 | 275                            |
| Dairy       | 7.5" Extended     | 1489         | 1344     | 6 - 8                           | 22              | 32                 | 275                            |
| Beverage    | Std. Dairy        | 1511         | 1365     | 6 - 8                           | 26              | 35                 | 275                            |
| Beverage    | 2.5" Extended     | 1485         | 1341     | 6 - 8                           | 26              | 35                 | 275                            |
| Beverage    | 5" Extended       | 1448         | 1307     | 6 - 8                           | 26              | 35                 | 275                            |

### DEFROST CONTROLS

| Defrosts Per Day | Run-Off Time (Min) | Electric Defrost |                       | Timed-Off Defrost |                       | Hot Gas Defrost |                       |
|------------------|--------------------|------------------|-----------------------|-------------------|-----------------------|-----------------|-----------------------|
|                  |                    | Fail-Safe (Min)  | Termination Temp (°F) | Fail-Safe (Min)   | Termination Temp (°F) | Fail-Safe (Min) | Termination Temp (°F) |
| 4                | 6 - 8              | 32               | 47                    | 42                | 47                    | 26              | 45                    |

### NOTES:

- BTUH/ft notes:
  - Listed BTUH/ft data represent unlighted shelves. For LED lighting, add 9 BTUH/ft per row of lighted shelving. For T8 lighted shelves, see Hillphoenix Bluebook Appendix D for BTUH, amp and watt data.
- Listed discharge air velocity represents the average velocity at the peak of defrost.
- Temperature and defrost settings listed above are recommended start-up settings. Final operational settings may need to be adjusted for the store conditions in which the case operates.
- The recommended evaporator temperatures may need to be adjusted based on system setup, store conditions, etc. The minimum recommended evaporator temperature is 4°F below the listed evaporator temperature.

**Hillphoenix**

REVISION: 120501\_0000

A DOVER COMPANY

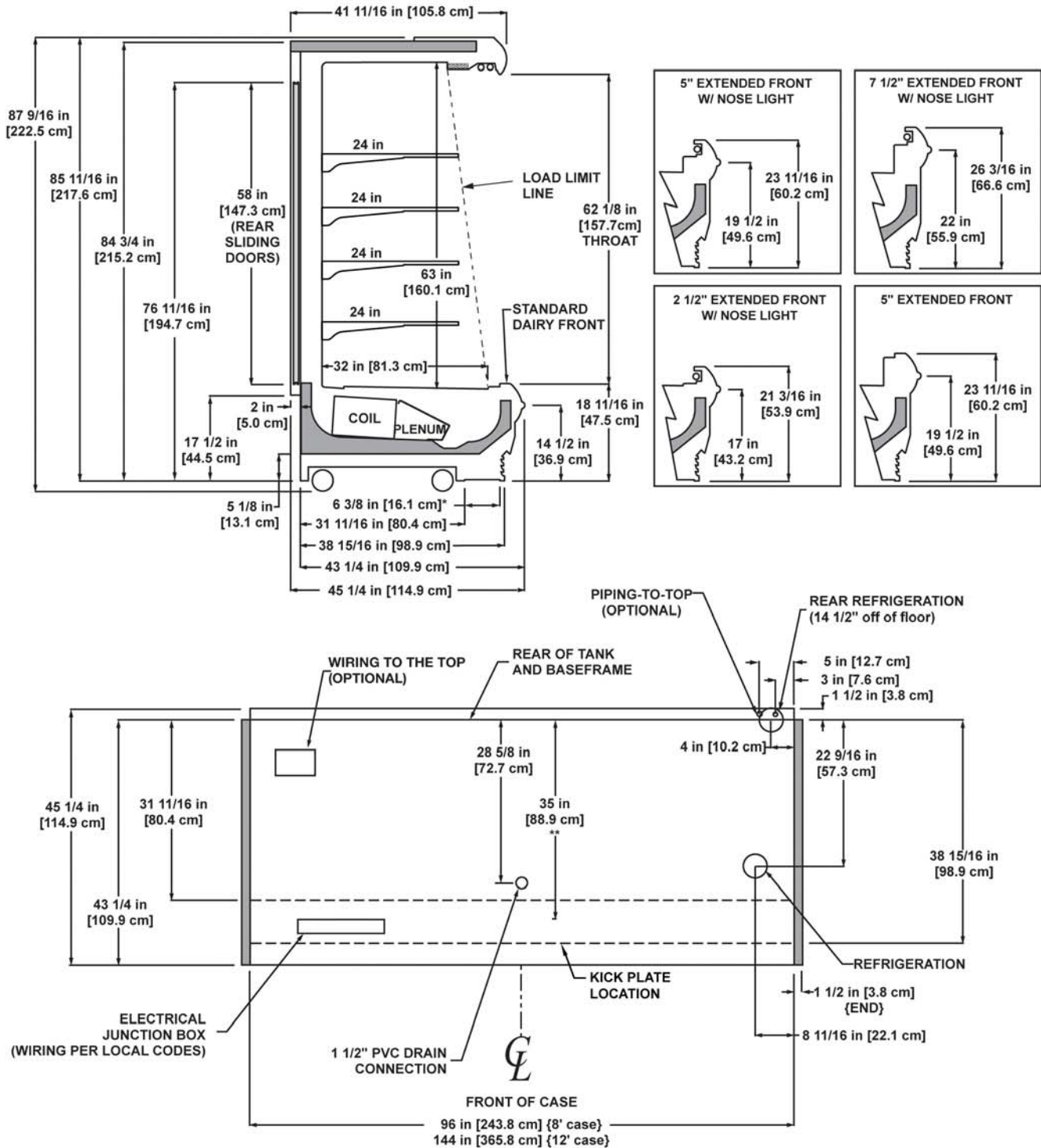


All measurements are taken per ASHRAE - 72 - 2005 specifications. Hillphoenix refrigerated display cases for sale in the United States meet or exceed Department of Energy 2012 energy efficiency requirements.

| Defrost Schedule |                           |
|------------------|---------------------------|
| Defrosts per Day | Time                      |
| 1                | 12 midnight               |
| 2                | 12am - 12pm               |
| 3                | 6am - 2pm - 10pm          |
| 4                | 12am-6am-12pm-6pm         |
| 6                | 12am-4am-8am-12pm-4pm-8pm |

# 05DRH High Rear Load Multi-Deck Merchandiser

## 8' & 12' (Beverage / Dairy)



**NOTES:**

- \* STUB-UP AREA
- \*\* RECOMMENDED STUB-UP CENTERLINE FOR ELECTRICAL AND HUB DRAINS
- FRONT SILL HEIGHT AND OVERALL CASE HEIGHT VARY WITH BASEFRAME HEIGHT
- ENDS ADD APPROXIMATELY 1 INCH TO CASE HEIGHT
- WIRING-TO-THE-TOP ADDS APPROXIMATELY 4 INCHES TO CASE HEIGHT
- COOLER OPENING SHOULD BE 82" X CASE LENGTH
- AVAILABLE SHELF SIZES: 10", 12", 14", 16", 18", 20", 22" & 24"
- DASHED LINES SIGNIFY AREA INSIDE BASE RAIL BEHIND KICK-PLATE

