

# 03.5UMA

## Mobile Multi-Deck Self-Contained Merchandiser 6' (Dairy / Deli / Meat / Produce)

### SYSTEM REQUIREMENTS

Case Length	Volts	Phase	Frequency (Hz)	Plug Style	Cord Length
6'	208/230	1	60	NEMA L14-30	10'

### GUIDELINES and CONTROL SETTINGS

Front Sill	24hr Energy Usage (kWh)	Suction Pressure @ Case Outlet (psig)	Superheat Set Point @ Bulb (°F)	Discharge Air (°F)	Discharge Air Velocity (FPM) •
Solid	---	18 - 20	6 - 8	31	230

### CONDENSING UNIT DATA

Volts	Phase	Frequency (Hz)	Horsepower	Running Load Amps (RLA) (Amps)	Locked Rotor Amps (LRA) (Amps)	Refrigerant	Lbs. of Refrigerant
208 / 230	1	60	1-1/4	11.0	51.0	R404A	4.25

### DEFROST CONTROLS

Defrosts Per Day	Electric Defrost	
	Fail-Safe (Min)	Termination Temp (°F)
3	40	47

#### NOTES:

- Listed discharge air velocity represents the average velocity at the peak of defrost.
- Temperature and defrost settings listed above are recommended start-up settings. Final operational settings may need to be adjusted for the store conditions in which the case operates.
- The recommended evaporator temperatures may need to be adjusted based on system setup, store conditions, etc. The minimum recommended evaporator temperature is 4°F below the listed evaporator temperature.

**Hillphoenix**

REVISION: 150929\_1647

A DOVER COMPANY

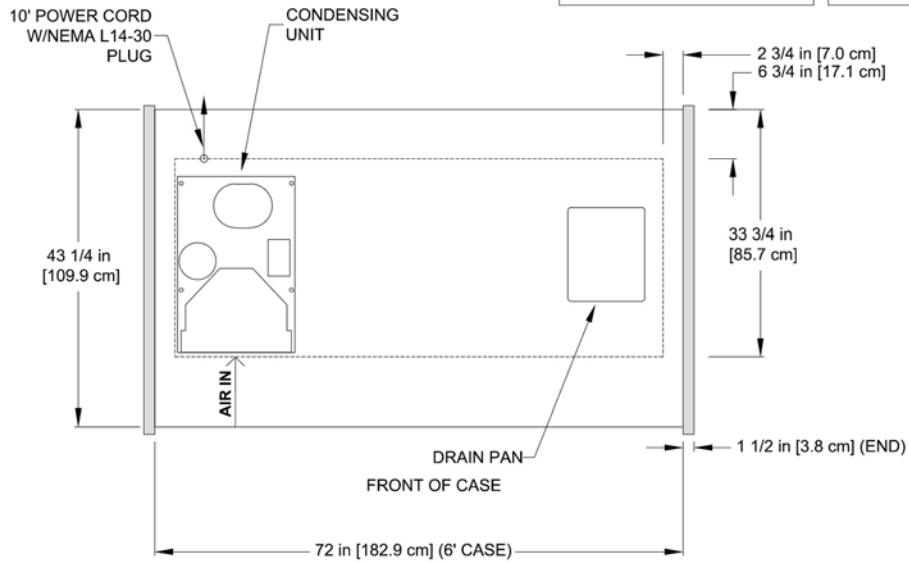
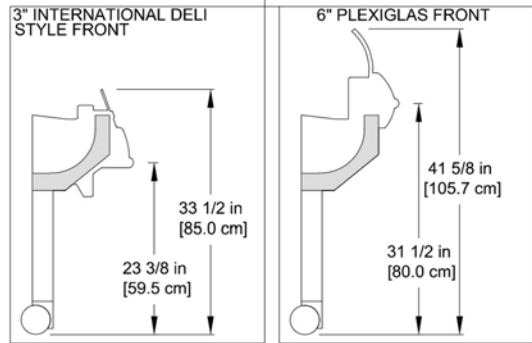
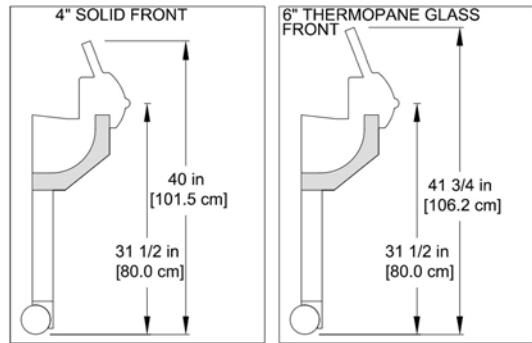
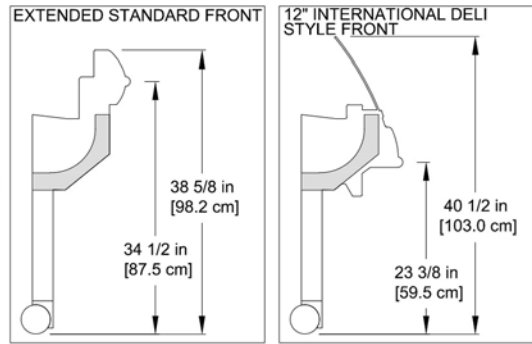
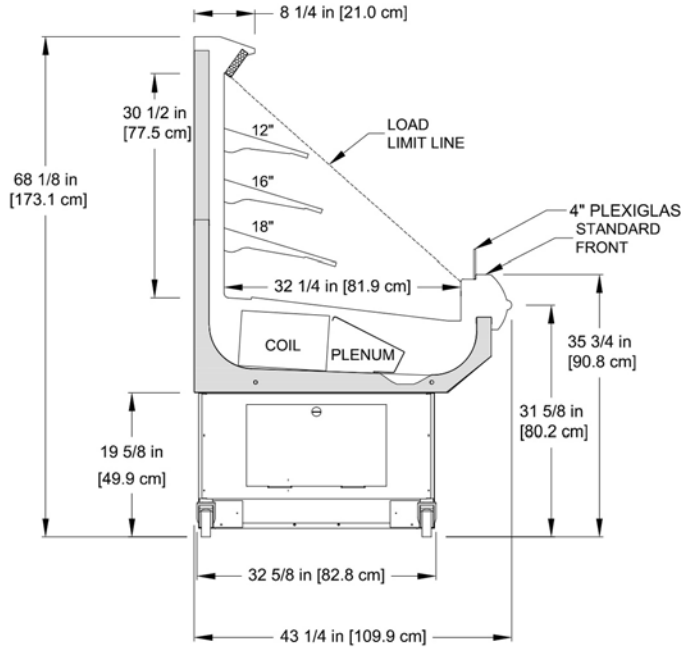


All measurements are taken per ASHRAE - 72 - 2005 specifications. Hillphoenix refrigerated display cases for sale in the United States meet or exceed Department of Energy 2012 energy efficiency requirements.

Defrost Schedule	
Defrosts per Day	Time
1	12 midnight
2	12am - 12pm
3	6am - 2pm - 10pm
4	12am-6am-12pm-6pm
6	12am-4am-8am-12pm-4pm-8pm

# 03.5UMA

## Mobile Multi-Deck Self-Contained Merchandiser 6' (Dairy / Deli / Meat / Produce)



NOTE:  
ENDS ADD APPROXIMATELY 1 INCH TO CASE HEIGHT  
BASE FRAME SHOWN AT THE LOWEST HEIGHT AVAILABLE

