

Service Single-Deck Merchandiser w/ Curved or Flat Lift Glass

BMD-RG REMOTE GRAVITY - 4', 6', 8', 10', 12', EW-90, & IW-90

Electrical Data

Model		Fans per Case	High Efficiency Fans		Anti-Condensate Fans		Drain Heaters		Optional Defrost Heaters	
			120 Volts		120 Volts		120 Volts		208 Volts	
			Amps	Watts	Amps	Watts	Amps	Watts	Amps	Watts
BMD-RG	4'	--- ¹	---	---	0.26	31.2	---	---	---	---
	6'	---	---	---	0.52	62.4	---	---	---	---
	8'	---	---	---	1.04	124.8	---	---	---	---
	10'	---	---	---	1.04	124.8	---	---	---	---
	12'	---	---	---	1.26	151.2	---	---	---	---
	EW-90	---	---	---	---	---	---	---	---	---
	IW-90	---	---	---	---	---	---	---	---	---

Lighting Data

Model		Lights per Row	Light Length (ft)	Fluorescent Lighting (Per Light Row)		Clearvoyant LED Lighting (Per Light Row)			
				120 Volts		Standard Power (Cornice or Shelf)		High Power (Cornice)	
				120 Volts		120 Volts		120 Volts	
				Amps	Watts	Amps	Watts	Amps	Watts
BMD-RG	4'	1	4	0.27	32.4	0.12	14.4	0.2	24
	6'	2	3	0.34	40.8	0.18	21.6	0.3	36
	8'	2	4	0.47	56.4	0.24	28.8	0.4	48
	10'	2	5	0.61	73.2	0.3	36	0.5	60
	12'	3	4	0.69	82.8	0.36	43.2	0.6	72
	EW-90	1	2	0.15	18	0.06	7.2	0.12	12
	IW-90	1	3	0.21	25.2	0.09	10.8	0.15	18

Guidelines & Control Settings (DX)

Model	Conventional BTUH/ft	Parallel BTUH/ft	Superheat Set Point @ Bulb (°F)	Evaporator (°F)	Discharge Air (°F)	Discharge Air ² Velocity (FPM)
BMD-RG	708	650	10	15	28	---

Defrost Controls

Model	Defrosts ³ per Day	Run-Off Time (min)	Electric Defrost		Timed-Off Defrost		Hot Gas Defrost	
			Fail-Safe (min)	Termination Temp (°F)	Fail-Safe (min)	Termination Temp (°F)	Fail-Safe (min)	Termination Temp (°F)
BMD-RG	1	---	---	---	90	---	---	---

1 NOTE: "---" indicates data not applicable.

2 Average discharge air velocity at peak of defrost.

3 Units equipped with RH systems require 2 defrosts per day with a fail-safe of 120 minutes.

* Listed data is based on the factory recommended default fresh meat temperature settings.

* Shelves are not recommended for fresh meat applications.

Engineered for stores with ambient conditions not to exceed 75° and 55% relative humidity.

Due to engineering improvements specifications may change without notice.

All measurements are taken per ASHRAE - 72 - 2005 specifications.

Numbers are based on standard case sizes. Consult engineering.

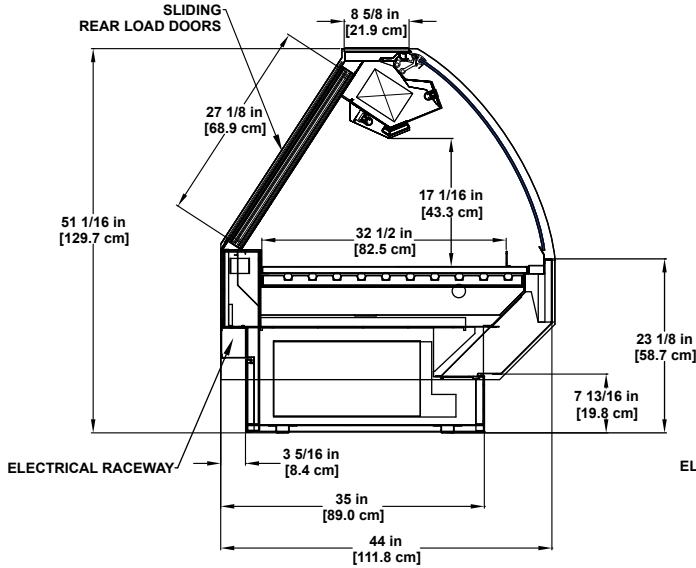


BMD-RG
(51" Remote Gravity)

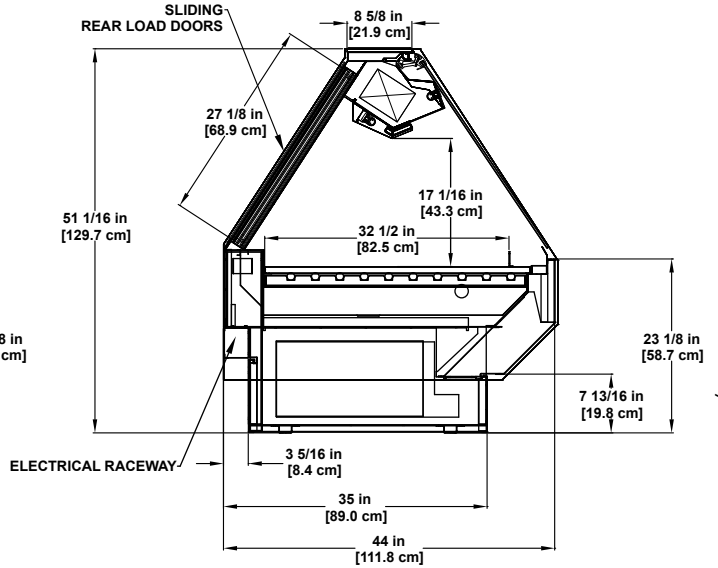
Hillphoenix

A DOVER COMPANY

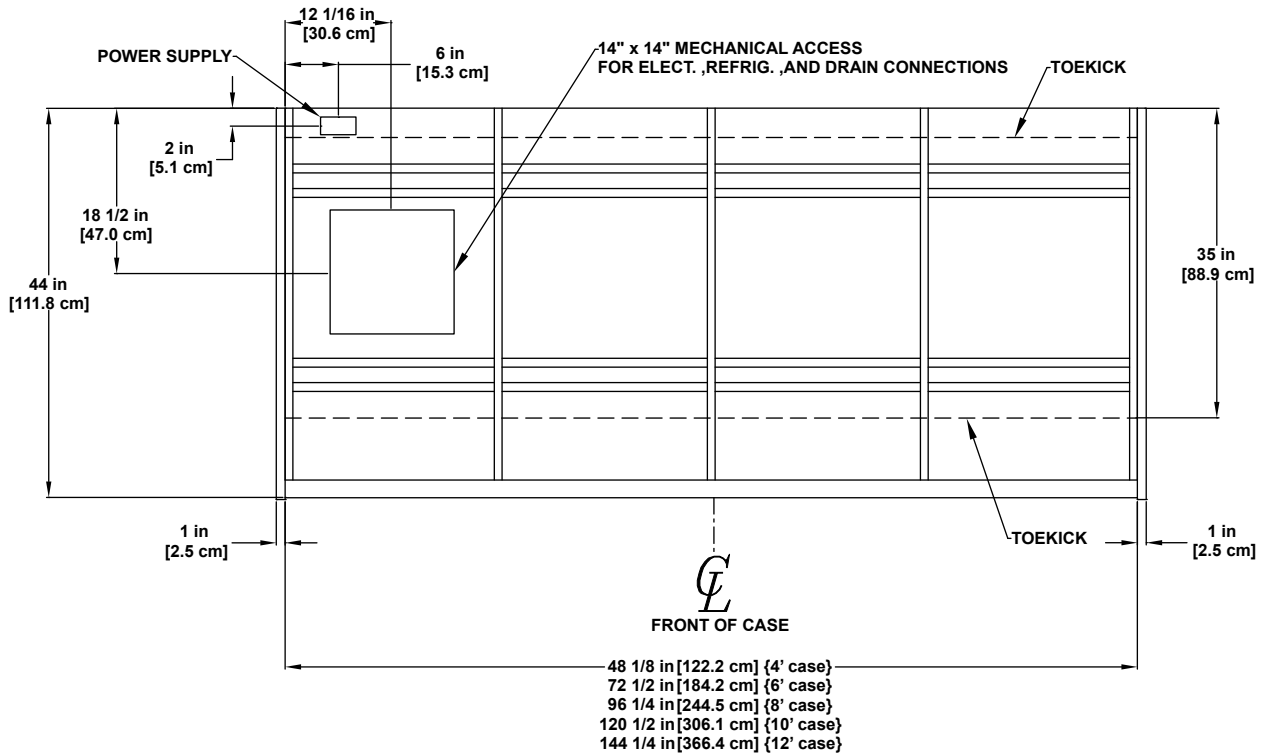
SERVICE
SINGLE-DECK
 Meat / Seafood



CURVED GLASS



FLAT GLASS

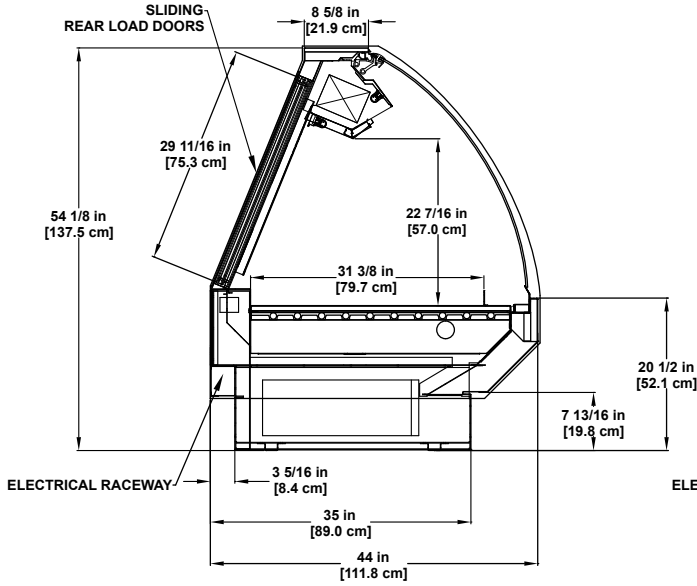


FRONT OF CASE

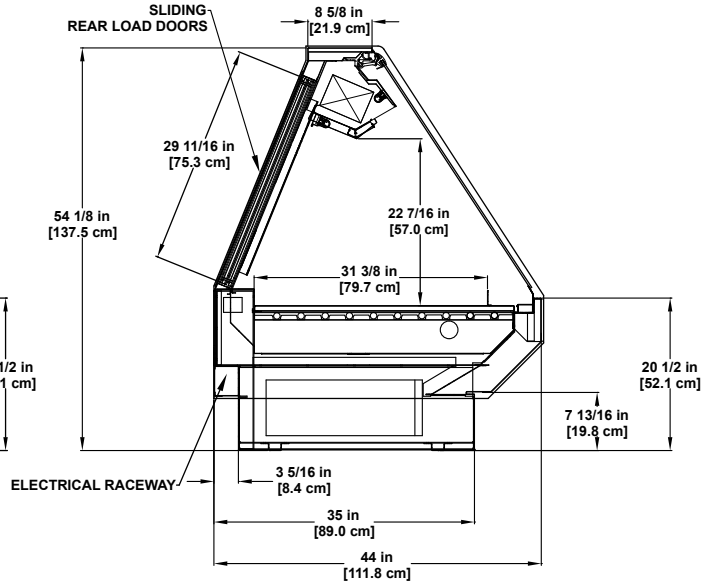
- 48 1/8 in [122.2 cm] {4' case}
- 72 1/2 in [184.2 cm] {6' case}
- 96 1/4 in [244.5 cm] {8' case}
- 120 1/2 in [306.1 cm] {10' case}
- 144 1/4 in [366.4 cm] {12' case}



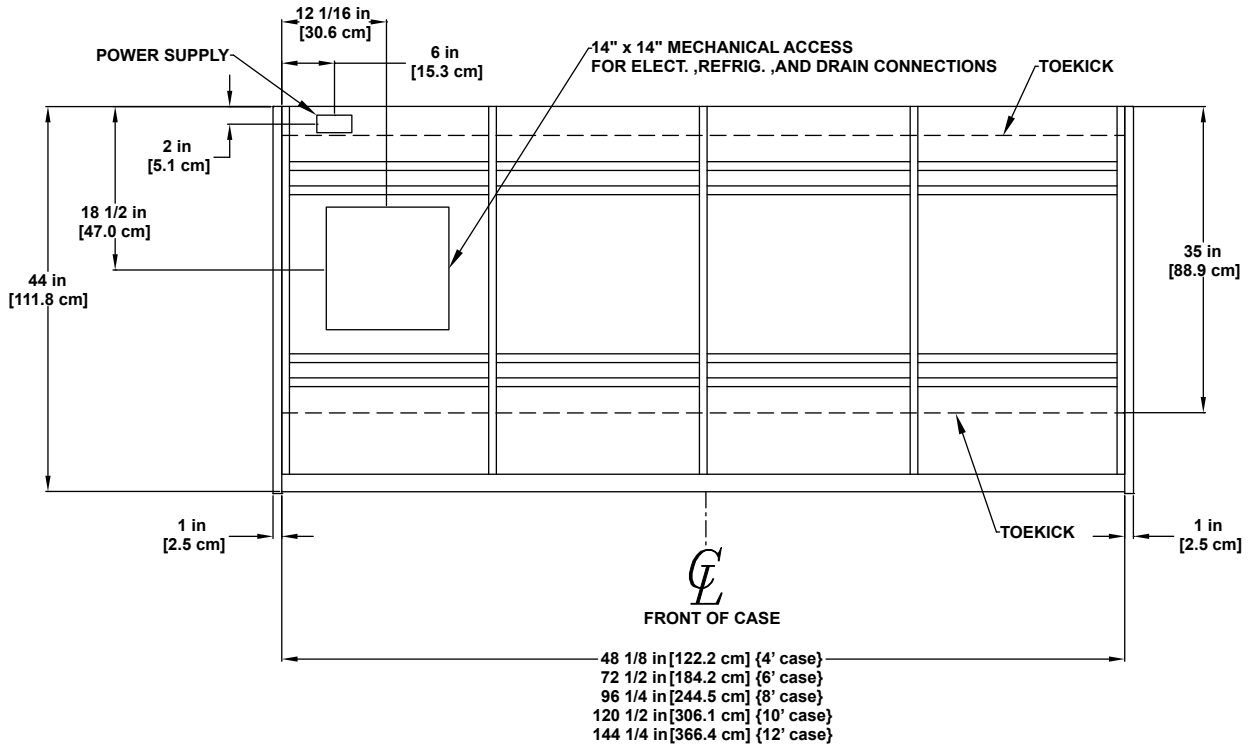
BMD-RG
(54" Remote Gravity)



CURVED GLASS



FLAT GLASS



FRONT OF CASE