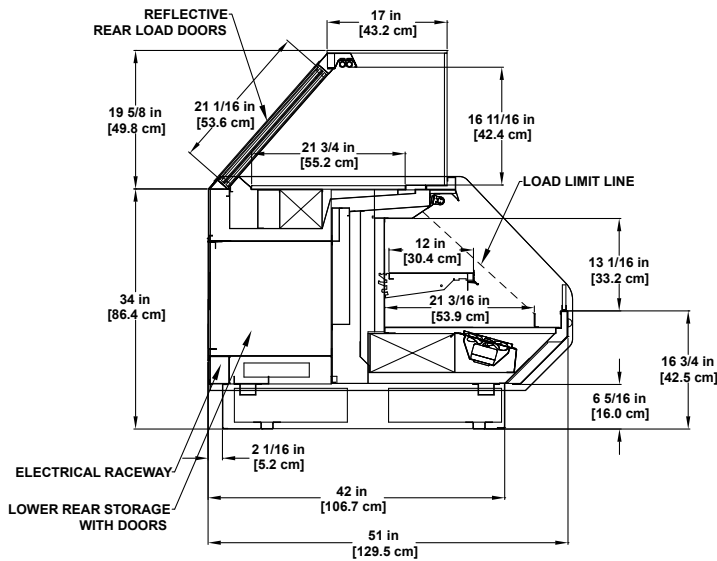


Open Multi-Deck

Merchandiser for bakery, beverage, dairy, meat and seafood with lower rear storage.

PTD-GSD





Please consult Hillphoenix Engineering Reference Manual for dimensions, plan views and technical specifications. Specifications subject to change without notice. Designed for optimal performance in store environments where temperature and humidity do not exceed 75°F and 55% R.H. Certified to UL 471, NSF Standard 7 and CAN/CSA C22.2.

Available Options

- Available lengths: 4', 5', 6', 8', 10' and 12'.
- Available 38" base height (37-3/8") with additional shelving options.
- Flat front profile.
- Available 55" Case Depth with 16" adjustable angle shelf.
- Alternate toekick height include: 7-13/16"H.
- Painted metal base trim.
- Cart bumper.
- Interior and exterior stainless steel finish.
- Second row (16") painted metal adjustable shelving w/PTM in 38" base height.
- Adjustable scalestand (interior strut mount - 8' and 12' only)
- Undershelf lighting.
- LED lighting.
- Gravity dome.
- Coolgenix® dome refrigeration package.
- Remote glycol or CO₂ refrigeration package.

Features and Benefits

- Standard 33-3/8"H base (34") with 6-5/16" base height.
- Standard 51" case depth w/17D" dome top.
- 45 degree dieboard.
- Painted metal exterior.
- Stainless steel outside back.
- 3/8" low iron glass top.
- Stainless steel front, rear and side toekick.
- 19-5/8" tall dome.
- Refrigerated dome.
- Blower coil.
- Single-pane, regular-glare vertical fixed front glass/ low iron side glass.
- Black painted metal interior.
- T8 top light in base.
- Refrigerated base.
- 3-1/2" dieboard plex.
- Black painted metal interior.
- (1) row each 12" adjustable angle painted metal shelving w/PTM.
- T8 top light.
- Rear electrical raceway.
- Remote DX refrigeration package.
- Air sweeps.



Hillphoenix
A DOWDY COMPANY

Keosauqua, IA
319.293.3777
hillphoenix.com

©2014 Hillphoenix, Inc.

SP-PTD-GSDv1014