

ON5DM Narrow Multi-Deck Merchandiser

4', 6', 8' & 12' (Dairy / Deli / Produce)

Electrical Data

Case Length	Fans Per Case	High-Efficiency Fans		Anti-Condensate Heaters		Defrost Heaters			
		120 Volts		120 Volts		208 Volts		240 Volts	
		Amps	Watts	Amps	Watts	Amps	Watts	Amps	Watts
4'	2	0.47	28	---	---	1.92	400	2.22	532
6'	3	0.70	42	---	---	2.88	600	3.33	798
8'	4	0.93	56	---	---	3.85	800	4.44	1065
12'	5	1.17	70	---	---	5.77	1200	6.67	1600

Lighting Data

Case Length	Lights Per Row	Light Length	Clearvoyant LED Lighting (Per Light Row)			
			Standard Power (Cornice or Shelf)		High Power (Cornice)	
			120 Volts		120 Volts	
			Amps	Watts	Amps	Watts
4'	1	4'	0.10	11.9	0.18	21.5
6'	2	3'	0.14	16.6	0.25	29.8
8'	2	4'	0.20	23.8	0.36	43.0
12'	3	4'	0.30	35.7	0.54	64.5

Guidelines & Control Settings

Application	Front Sill Heights	² BTUH/ft		Superheat Set Point @ Bulb (°F)	Evaporator (°F)	Discharge Air (°F)	Discharge ³ Air Velocity (FPM)
		Conventional	Parallel				
Dairy Deli Cut Produce	Std. Dairy	1856	1691	6 - 8	22	32	215
	2.5" Ext.	1807	1646	6 - 8	22	31	215
	5" Ext.	1777	1619	6 - 8	22	31	215
	7.5" Ext.	1713	1561	6 - 8	22	31	215
Beverage Bulk Produce	Std. Dairy	1701	1550	6 - 8	29	37	215
	2.5" Ext.	1655	1508	6 - 8	29	36	215
	5" Ext.	1598	1456	6 - 8	29	36	215
	7.5" Ext.	1570	1430	6 - 8	29	36	215

Defrost Controls

Defrosts Per Day	Run-Off Time (min)	Electric Defrost		Timed-Off Defrost		Hot Gas Defrost		Reverse Air Defrost	
		Fail-Safe (min)	Termination Temp (°F)	Fail-Safe (min)	Termination Temp (°F)	Fail-Safe (min)	Termination Temp (°F)	Fail-Safe (min)	Termination Temp (°F)
4	6 - 8	32	47	42	47	26	45	42	45

1 NOTE: "-" indicates that feature is not an option on this case model.

2 BTUH/ft notes:

- Standard fans (see Appendix C) increase refrigeration load by 96 BTUH/fan.
- Listed BTUH/ft indicate unlighted shelves. For LED lighting, add 36 BTUH per 4' lighted shelf and 27 BTUH per 3' lighted shelf to determine Total Lighting BTUH Load, then divide the Total Lighting BTUH Load by the length of the case. For T8 lighted shelves (see Appendix D) and 3rd row lighting, add 80 BTUH per 4' lighted shelf and 60 BTUH per 3' lighted shelf to determine Total Lighting BTUH Load, then divide the Total Lighting BTUH Load by the length of the case.

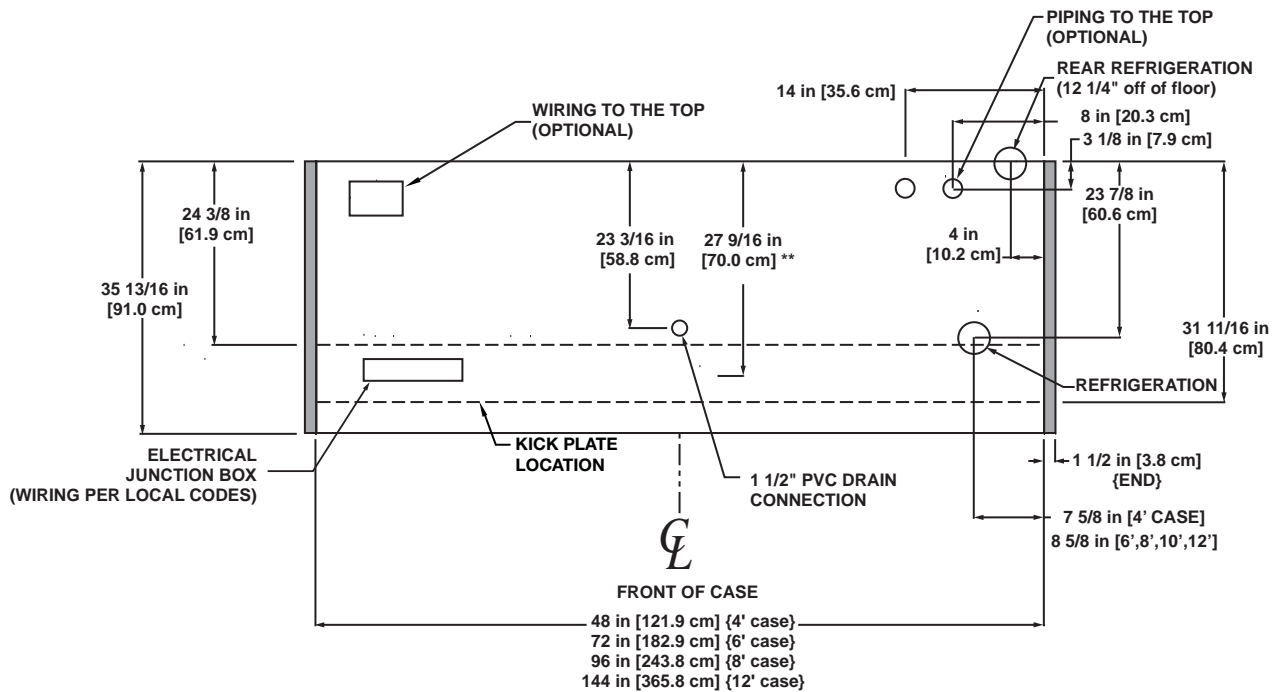
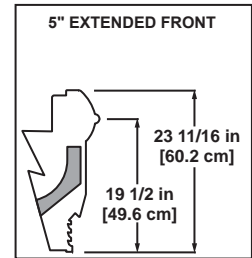
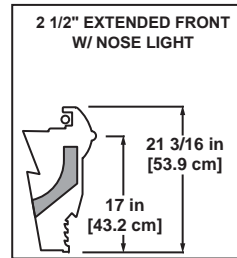
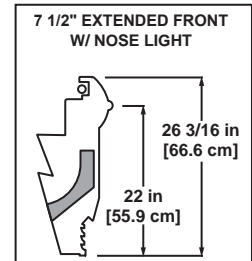
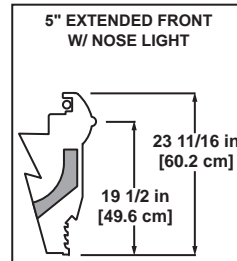
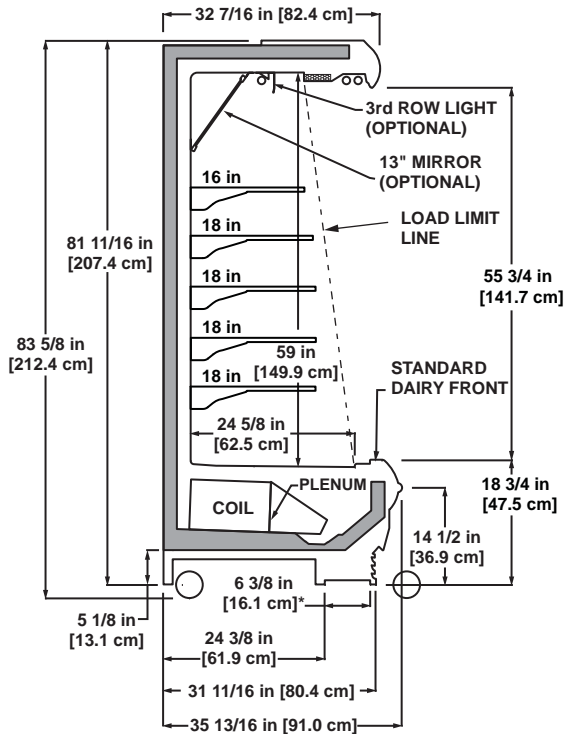
3 Average discharge air velocity at peak of defrost.



Defrost per Day	Time
1	12 midnight
2	12am - 12pm
3	6am - 2pm - 10pm
4	12am - 6am - 12pm - 6pm

ON5DM Narrow Multi-Deck Merchandiser

4', 6', 8' & 12' (Dairy / Deli / Produce)



NOTES:

* STUB-UP AREA

** RECOMMENDED STUB-UP CENTERLINE FOR ELECTRICAL AND HUB DRAINS

- FRONT SILL HEIGHT AND OVERALL CASE HEIGHT VARY WITH BASEFRAME HEIGHT
- ENDS ADD APPROXIMATELY 1 INCH TO CASE HEIGHT
- WIRING-TO-THE-TOP ADDS APPROXIMATELY 4 INCHES TO CASE HEIGHT
- A 2" MINIMUM AIR GAP IS REQUIRED BETWEEN THE REAR OF THE CASE AND A WALL
- AVAILABLE SHELF SIZES: 10", 12", 14", 16" & 18" TOP SHELF MUST BE 16" OR SHORTER.
- RECOMMENDED CONFIGURATION IS 16" SHELF AND 3 OR 4 18" SHELVES BELOW TOP SHELF)
- DASHED LINES SIGNIFY AREA INSIDE BASE RAIL BEHIND KICK-PLATE

