

Self-Service Open Single-Deck Merchandiser

DLPF REMOTE - 4', 6', 8', 10', 12', EW-22 1/2, IW-22 1/2, EW-45, IW-45, EW-90, & IW-90

Electrical Data

Model		Fans per Case	High Efficiency Fans		Anti-Condensate Fans		Drain Heaters		Optional Defrost Heaters	
			120 Volts		120 Volts		120 Volts		208 Volts	
			Amps	Watts	Amps	Watts	Amps	Watts	Amps	Watts
DLPF	4'	2	0.6	72	---	---	---	---	---	---
	6'	3	0.9	108	---	---	---	---	---	---
	8'	3	0.9	108	---	---	---	---	---	---
	10'	4	1.2	144	---	---	---	---	---	---
	12'	4	1.2	144	---	---	---	---	---	---
	EW-22 1/2	---	---	---	---	---	---	---	---	---
	EW-22 1/2	---	---	---	---	---	---	---	---	---
	EW-45	---	---	---	---	---	---	---	---	---
	EW-45	---	---	---	---	---	---	---	---	---
	EW-90	2	0.6	72	---	---	---	---	---	---
IW-90	2	0.6	72	---	---	---	---	---	---	

Lighting Data

Model		Lights per Row	Light Length (ft)	Fluorescent Lighting (Per Light Row)		Clearvoyant LED Lighting (Per Light Row)							
						Standard Power (Cornice or Shelf)			High Power (Cornice)				
				120 Volts			120 Volts			120 Volts			
				Amps	Watts	Maximum Allowable Rows	Amps	Watts	Maximum Allowable Rows	Amps	Watts	Maximum Allowable Rows	Amps
DLPF	4'	1	4	0.27	32.4	5	0.12	14.4	5	0.2	24	5	
	6'	2	3	0.34	40.8	5	0.18	21.6	5	0.3	36	5	
	8'	2	4	0.47	56.4	5	0.24	28.8	5	0.4	48	5	
	10'	2	5	0.61	73.2	5	0.3	36	5	0.5	60	5	
	12'	3	4	0.69	82.8	5	0.36	43.2	5	0.6	72	5	
	EW-22 1/2	---	---	---	---	---	---	---	---	---	---	---	
	EW-22 1/2	---	---	---	---	---	---	---	---	---	---	---	
	EW-45	---	---	---	---	---	---	---	---	---	---	---	
	EW-45	---	---	---	---	---	---	---	---	---	---	---	
	EW-90	1	4	0.27	32.4	5	0.12	14.4	5	0.2	24	5	
IW-90	1	3	0.21	25.2	5	0.09	10.8	5	0.15	18	5		

Guidelines & Control Settings (DX)

Model	Conventional ² BTUH/ft	Parallel ³ BTUH/ft	Superheat Set Point @ Bulb (°F)	Evaporator (°F)	Discharge Air (°F)	Discharge Air ⁴ Velocity (FPM)
DLPF	1004	924	6-8	26	34	200

Engineered for stores with ambient conditions not to exceed 75° and 55% relative humidity.
 Due to engineering improvements specifications may change without notice.
 All measurements are taken per ASHRAE - 72 - 2005 specifications.
 Numbers are based on standard case sizes. Consult engineering.



DLPF (Remote)

Defrost Controls

Model	Defrosts per Day	Run-Off Time (min)	Electric Defrost		Timed-Off Defrost		Hot Gas Defrost	
			Fail-Safe (min)	Termination Temp (°F)	Fail-Safe (min)	Termination Temp (°F)	Fail-Safe (min)	Termination Temp (°F)
DLPF	6	---	---	---	30	42	---	---

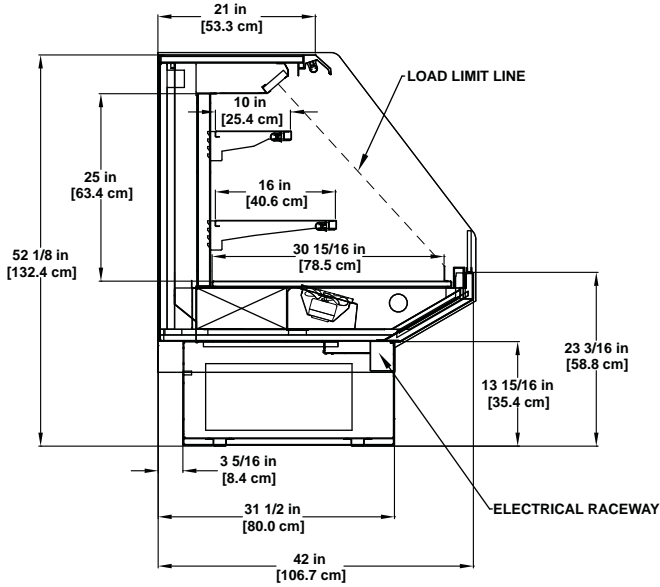
- 1 NOTE: "---" indicates data not applicable.
- 2,3 Listed BTUH indicates unlighted shelves. Add the following for lighted shelves:
 - 4' Fluorescent: 80 BTUH
 - 3' Fluorescent: 60 BTUH
 - 4' Shelf LED: 36 BTUH
 - 4' Canopy LED: 72 BTUH
 - 3' Shelf LED: 27 BTUH
 - 3' Hi-Output LED: 54 BTUH
- 4 Average discharge air velocity at peak of defrost.
- * Wedges must contain step riser on base deck for proper airflow.

**SELF-SERVICE
SINGLE-DECK**

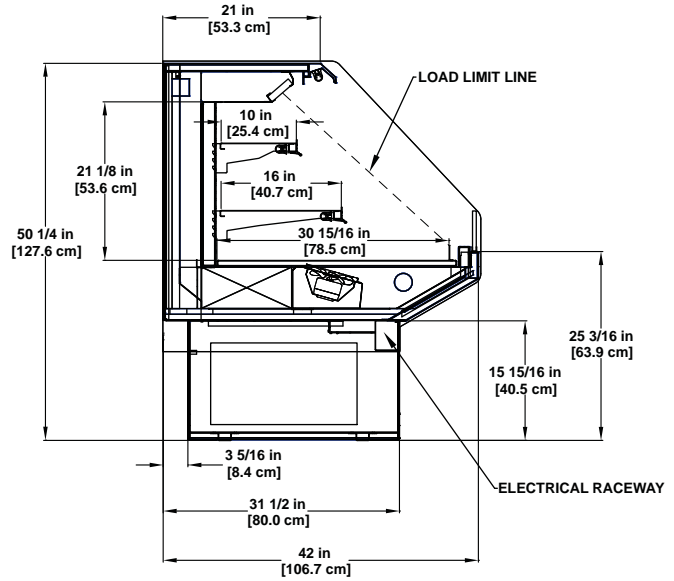
Bakery / Beverage / Cheese / Deli

Engineered for stores with ambient conditions not to exceed 75° and 55% relative humidity. Due to engineering improvements specifications may change without notice. All measurements are taken per ASHRAE - 72 - 2005 specifications. Numbers are based on standard case sizes. Consult engineering.





SMD PROFILE



SSD PROFILE

