

Self-Service Open Multi-Deck Convection Assist Merchandiser

PFH-C HOT - 4' & 6'

Self-Service

Model		First Top Shelf		Second Top Shelf		Third Top Shelf		Total Amps (120/208-3-60)		
		Qty	Watts (each)	Qty	Watts (each)	Qty	Watts (each)	L1	L2	L3
PFH-C	4'	1	2315	1	2315	1	2315	22.93	22.57	22.2
	6'	1	3474	1	3474	1	3474	34.72	34.0	33.4

Electrical Data

Model		Fans per Case	Control Fans		Fans per Case	Heater Fans	
			208 Volts			120 Volts	
			Amps	Watts		Amps	Watts
PFH-C	4'	1	0.06	14	3	0.36	33
	6'	2	0.12	28	6	0.72	66

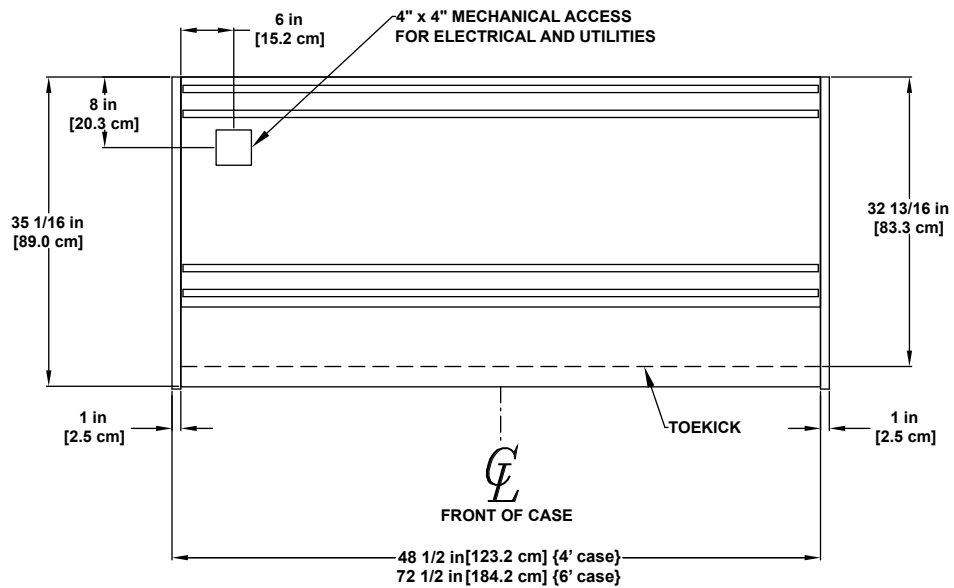
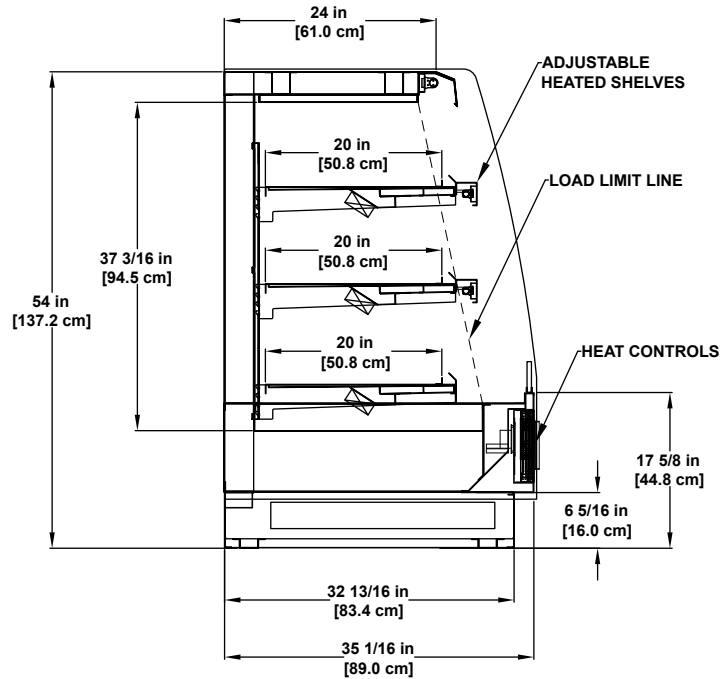
Lighting Data

Model		Lights per Row	Light Length (ft)	Fluorescent Lighting (Per Light Row)	
				Amps	Watts
PFH-C	4'	1	3	0.09	18.72
	6'	2	2	0.12	24.99

Engineered for stores with ambient conditions not to exceed 75° and 55% relative humidity.
 Due to engineering improvements specifications may change without notice.
 All measurements are taken per ASHRAE - 72 - 2005 specifications.
 Numbers are based on standard case sizes. Consult engineering.



PFH-C
(Hot)



SELF-SERVICE
MULTI-DECK
Deli